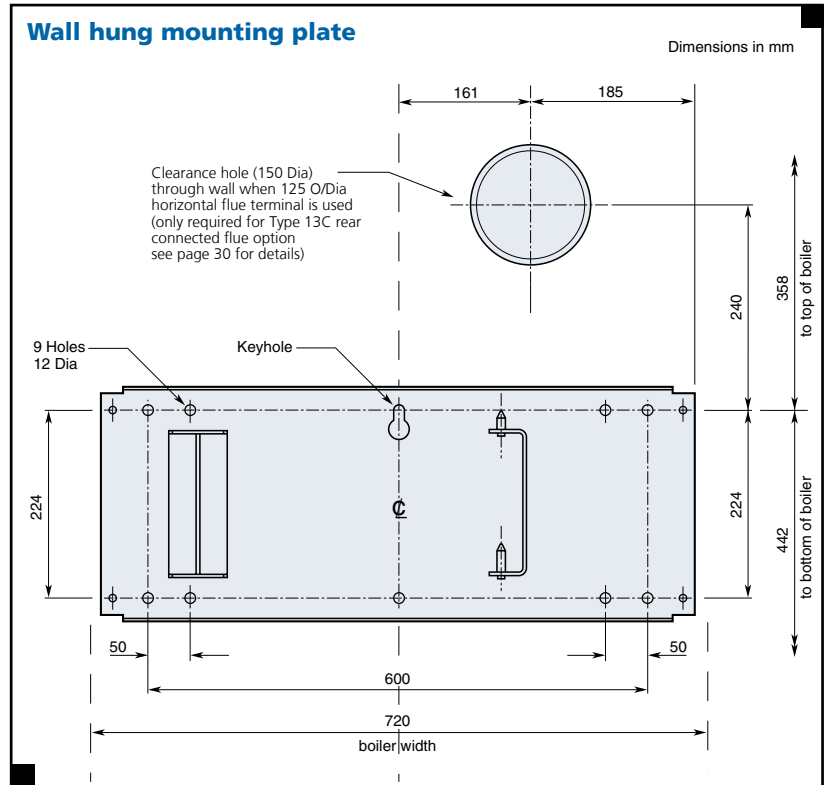


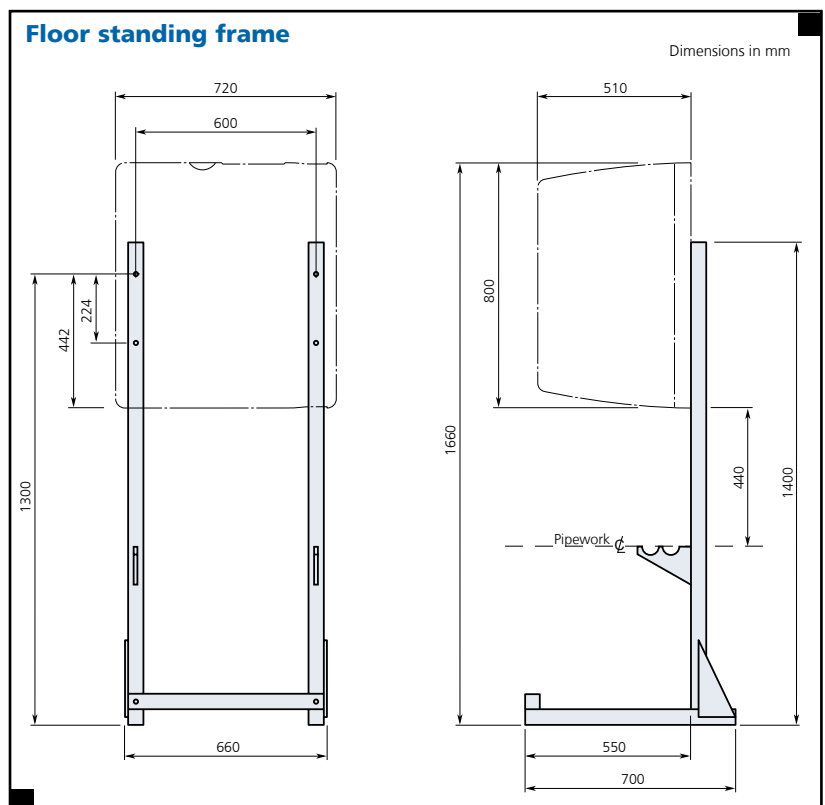
Dimensional Details

Sherborne SE - Boiler Fixing Details

The mounting plate is designed to be fixed to the wall before the boiler has been attached, this avoids possible damage that might occur to the boiler and facilitates handling on site. The central keyhole is firstly used to hang the plate on the wall so that the hole positions can be marked. A minimum of 5 out of the 10 pre drilled fixing positions must be used with at least one fastener located at each corner of the plate. The plate should be secured to the wall using M10 rawbolts. (not HHL supply)



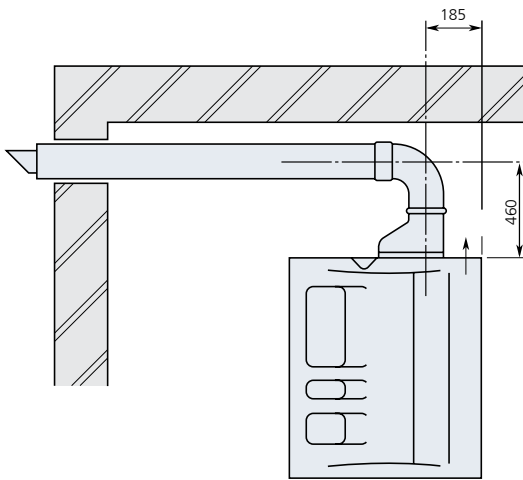
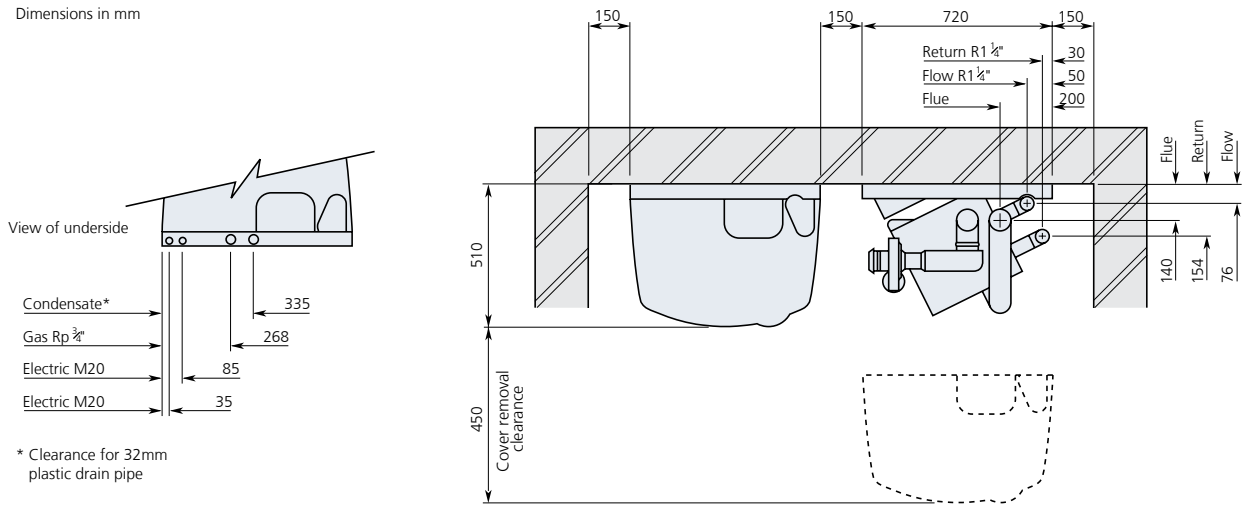
An optional boiler mounting frame can be used for applications where sufficient wall space is not available or where the wall is not structurally suitable for mounting the boiler. The frame is supplied packed flat and is assembled using the nuts and bolts supplied. Once assembled the frame is fully self supporting and the boiler mounting plate is attached directly to the frame, using the pre-drilled holes provided.



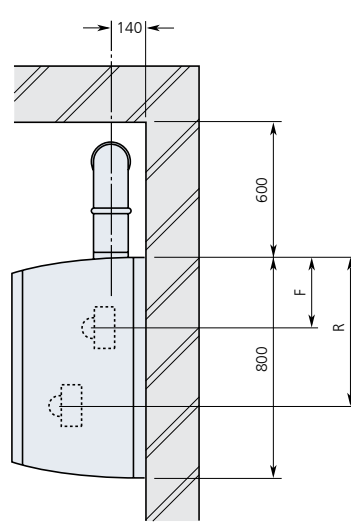
Dimensional Details

Sherborne SE - Boiler Dimensions & Clearances

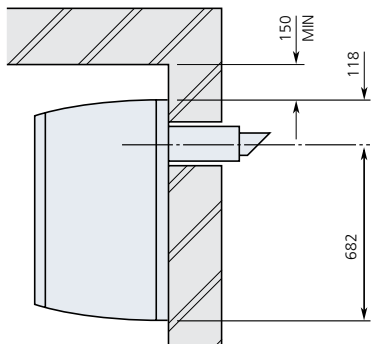
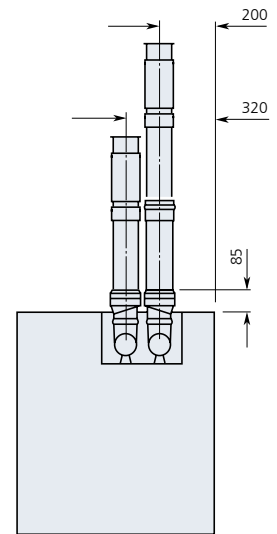
Dimensions in mm



Top connected flue - concentric ducts



Top connected flue - separate ducts



Rear connected flue - concentric ducts

Boiler Model		SE64he	SE71c
F - Flow connection	mm	280	280
R - Return connection	mm	495	630

Note: The water connections to the boiler should be made using either elbow or tee fittings (not Hamworthy supply) in order to bring the connections into the vertical plane. The flow and return pipework can then be run either upwards or downwards to the exit casing. Refer to manifold kit details on pages 10 & 11.

Pipe Work Header Kits

Sherborne SE – Pipe work below boilers

Pipe work kits for Sherborne SE boilers can be used for wall mounted boiler installations or with Hamworthy floor standing frame-sets. The Sherborne water connections are arranged to allow flow and return pipework to run above or below the boiler, depending on site requirements.

Kits are available for two and three boiler modules and include tappings to connect a safety valve R³/₄, and manual air vent R¹/₂ on the vertical manifolds. Provision is also made for connecting a drain valve, pressure and temperature gauges as required via Rp¹/₂ sockets on the horizontal headers.

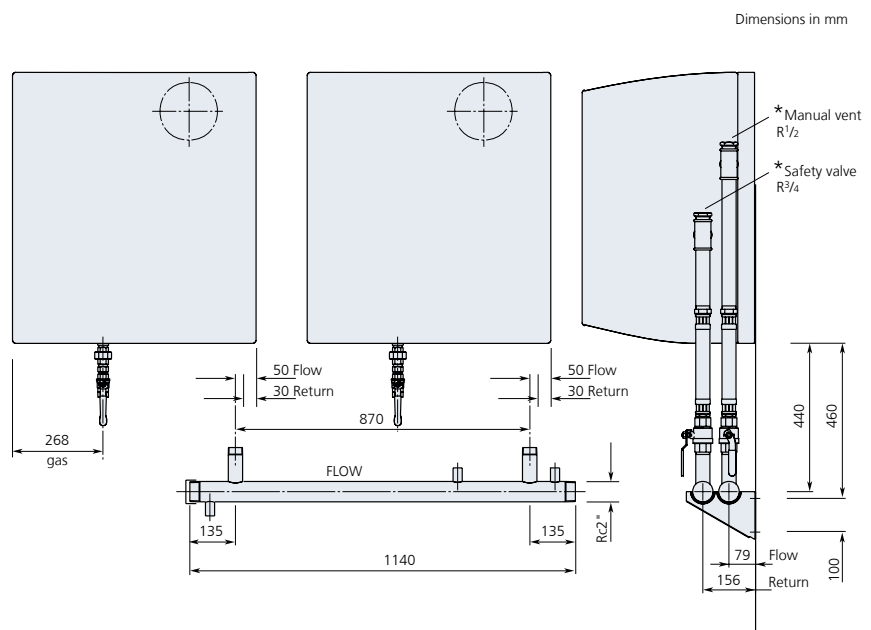
Note: Drain valve, gauges and blanking plugs for unused connections are not Hamworthy supply.

2 Boiler Installation

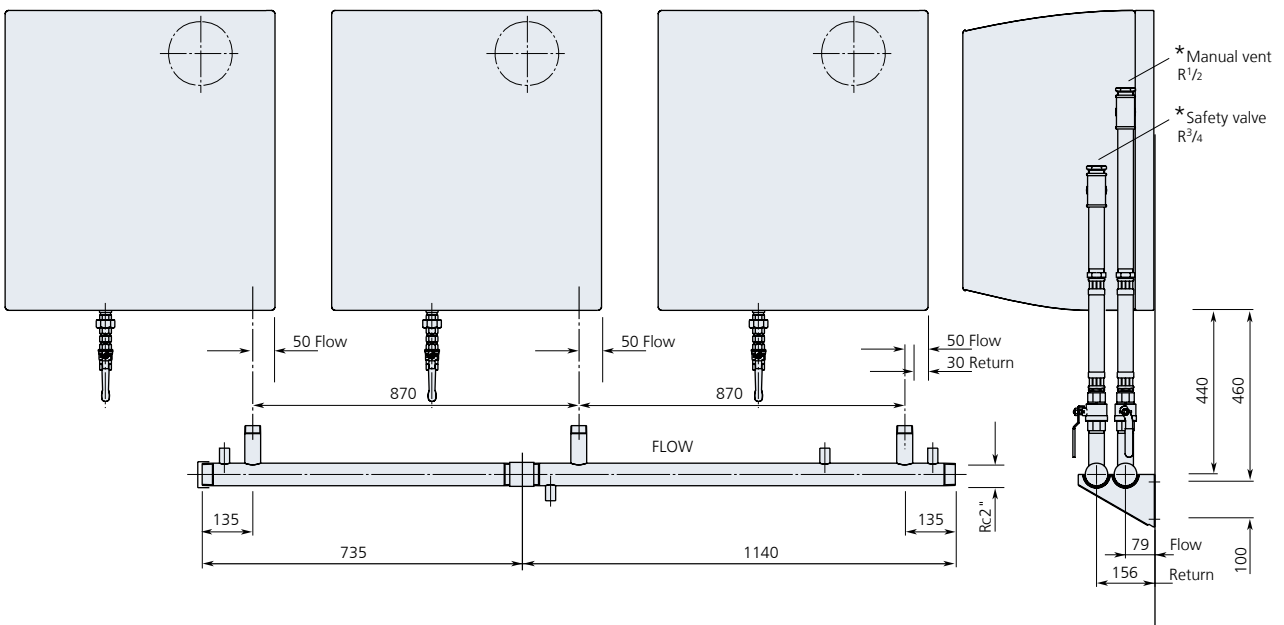
Notes:

1. Return pipework removed for clarity. Pipework lengths for flow and return are the same.
2. Pipework lengths are nominal ±5
3. Rp¹/₂ sockets on the horizontal headers are intended for fitting of *pressure & temperature gauges and a drain fitting (blanking plugs are not included)

* Not HHL supply



3 Boiler Installation



Pipe Work Header Kits

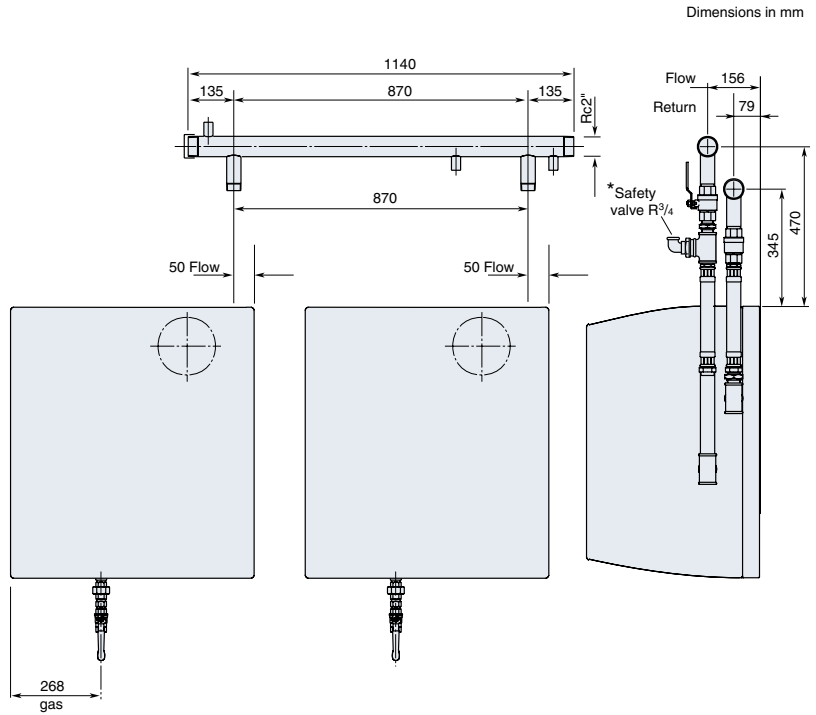
Sherborne SE – Pipe work above boilers

2 Boiler Installation

Notes:

1. Return pipework removed for clarity. Pipework lengths for flow and return are the same.
2. Pipework lengths are nominal ± 5
3. Rp $\frac{1}{2}$ sockets on the horizontal headers are intended for fitting of *pressure & temperature gauges and a drain fitting (blanking plugs are not included)

* Not HHL supply



3 Boiler Installation

