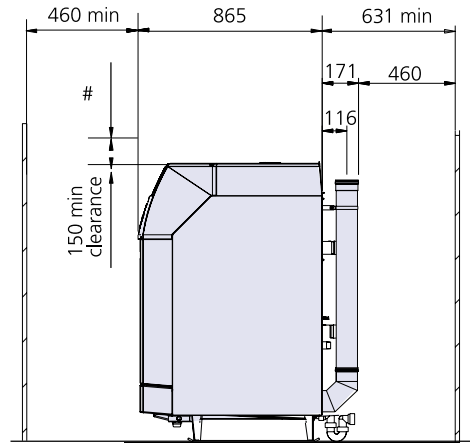
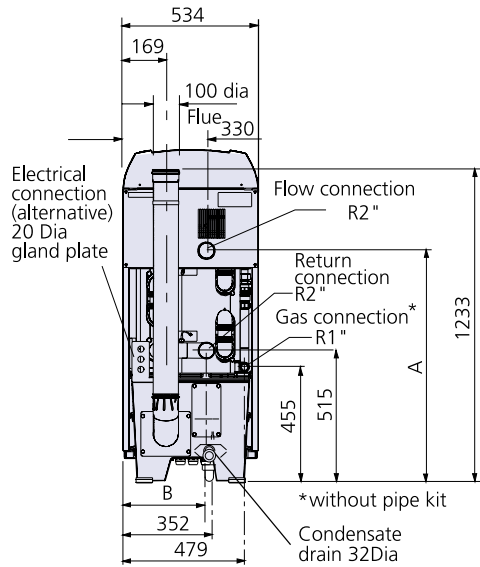


# Dimensional Details he Models

## Purewell VariHeat High Efficiency Non Condensing Boilers

### Single Boilers Without Pipe Kits

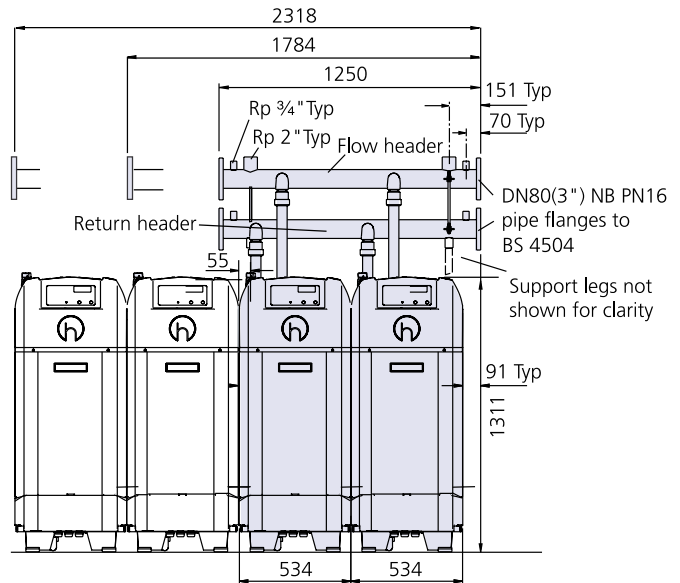
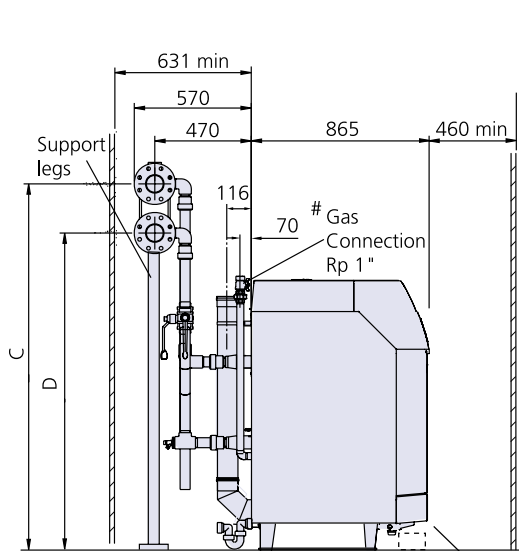
Dimensions in mm	PV65he & PV85he	PV105he & PV125he
Flow connection A	775nom	908nom
Return connection B	401nom	330nom



# Do not run trunking or pipework across the top of the boiler. Access is required top and front for servicing.

### Multiple Boilers With Pipe Kits

Dimensions in mm	PV65he & PV85he	PV105he & PV125he
Flow connection C	1650nom	1780nom
Return connection D	1400nom	1540nom



\* Electrical trunking may be run in front of the boiler at floor level, below the front cover. (not HHL supply).

Electrical connections 20 dia gland plate

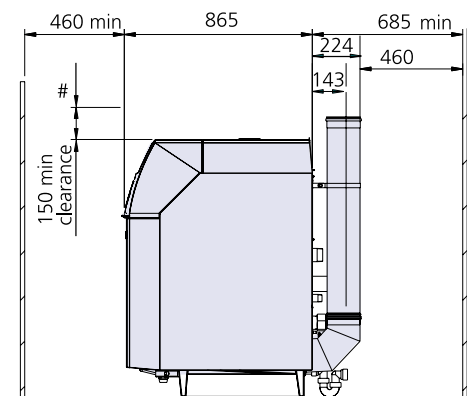
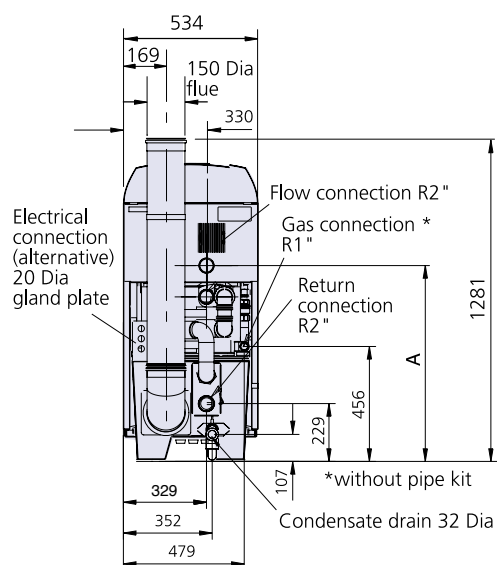
# Gas connection with pipe kit only

# Dimensional Details c Models

Purewell VariHeat Condensing Boilers

## Boilers Without Pipe Kits

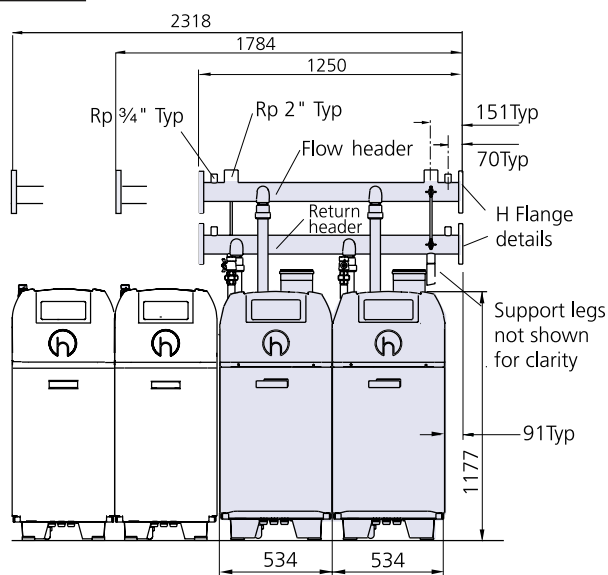
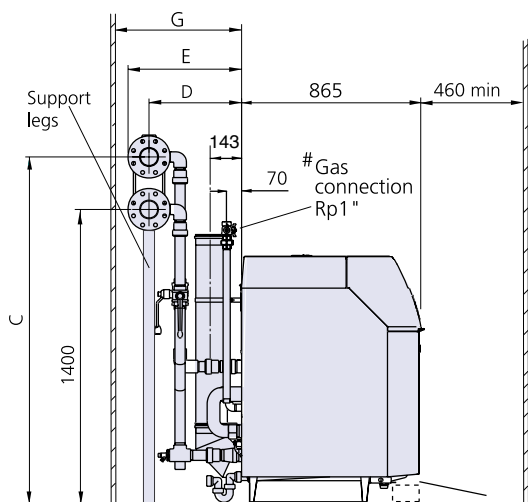
Dimensions in mm	PV70c, PV95c & PV110c	PV140c & PV180c
Flow connection	A	780



# Do not run trunking or pipework across the top of the boiler. Access is required top and front for servicing.

## Boilers With Pipe Kits

Dimensions in mm	PV70c, PV95c, PV110c, PV140c	PV180c
Flow connection	C	1700
Clearance	G	631
Header centre line	D	465
Header extremity	E	590
Pipe flange to BS4504	DN80 (3")NB PN16	DN125 (5")NB PN16



\* Electrical trunking may be run in front of the boiler at floor level, below the front cover. (not HHL supply).

Electrical connections 20 Dia gland plate

# Gas connection with pipe kit only