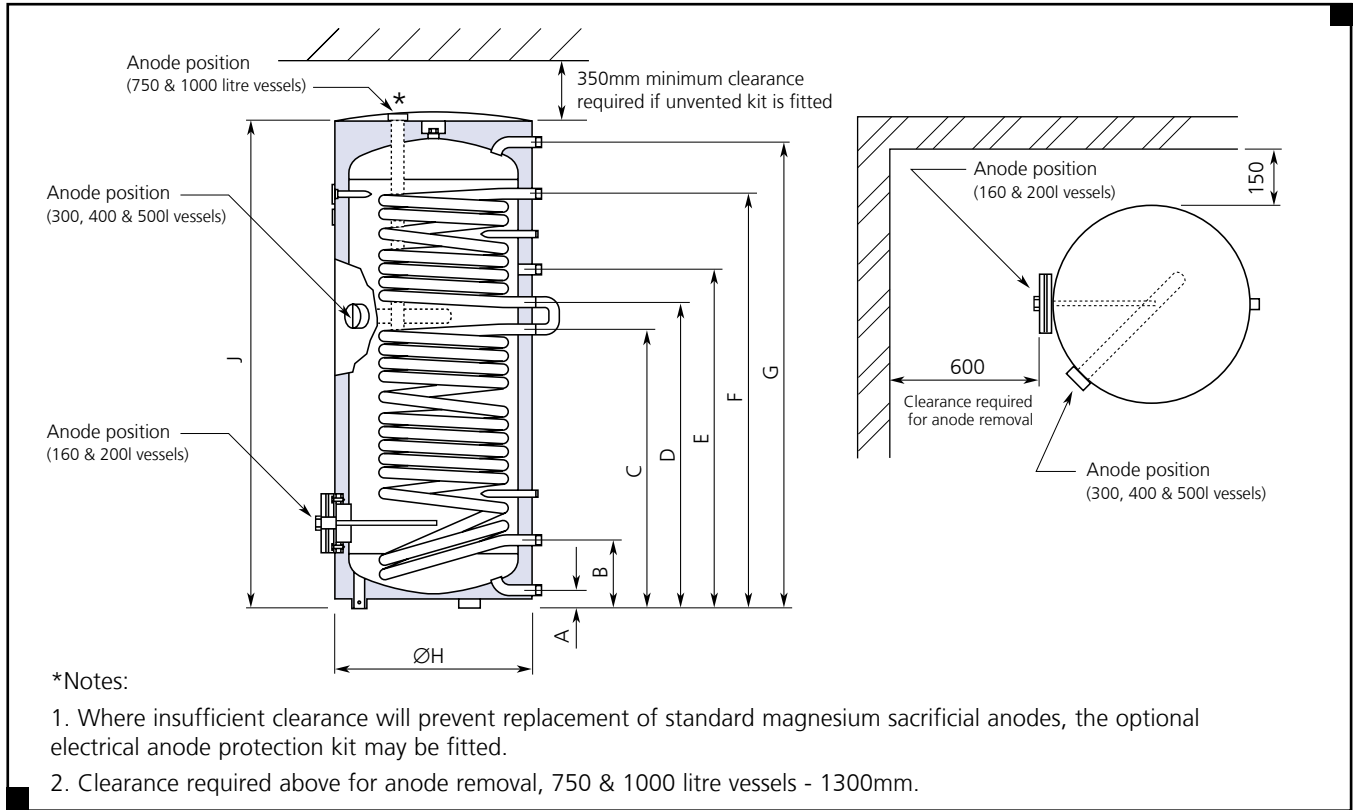


Dimensional Details

Powerstock Calorifiers

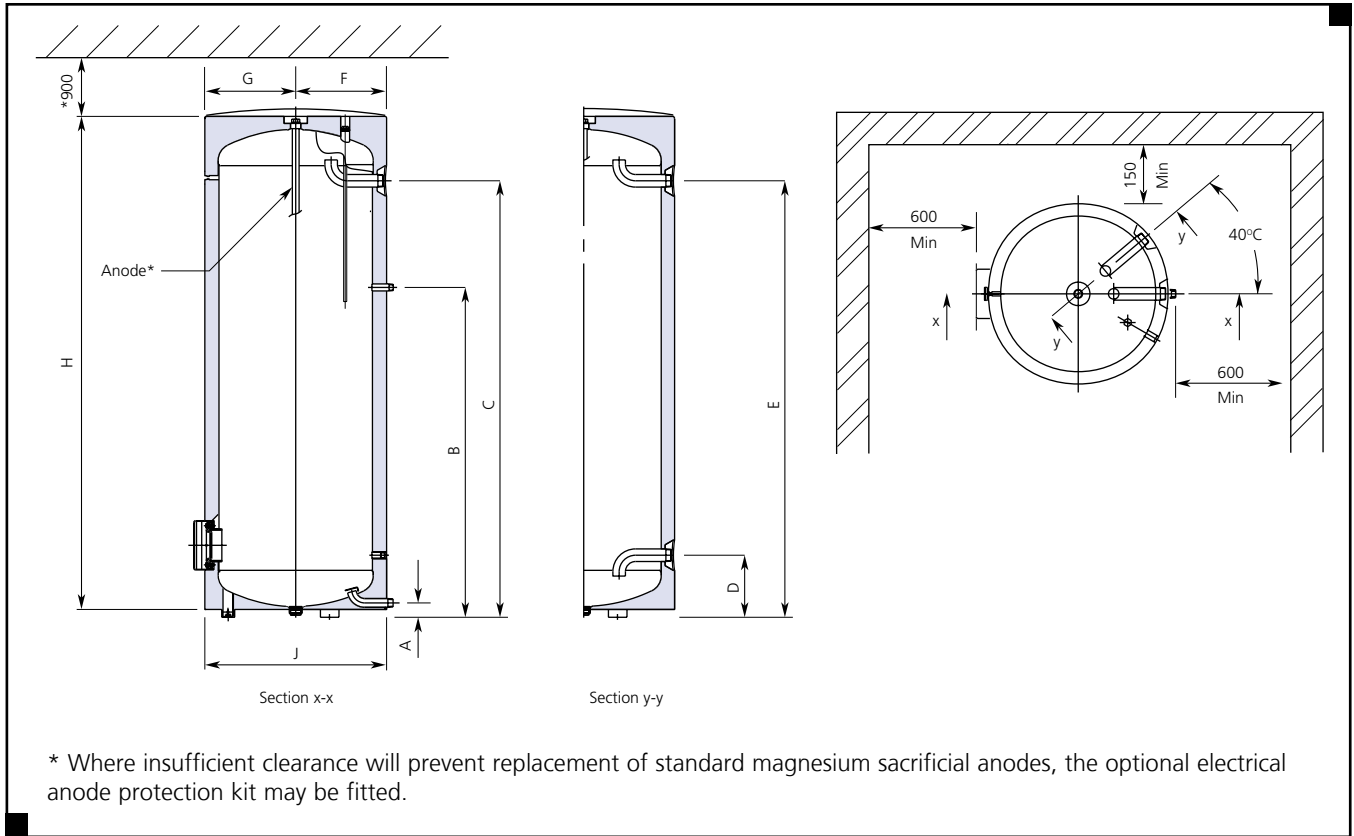


| Model | Dimensions (mm) | | | | | | | | |
|--------|-----------------|-----|-----|------|------|------|------|------|------|
| | A | B | C | D | E | F | G | H | J |
| PS160 | 55 | 191 | 596 | N/A | 732 | N/A | 1106 | 540 | 1172 |
| PS200 | 55 | 191 | 686 | N/A | 899 | N/A | 1366 | 540 | 1432 |
| PS300 | 90 | 254 | 694 | 1064 | 1179 | 1424 | 1725 | 625 | 1775 |
| PS400 | 55 | 220 | 909 | 1006 | 1111 | 1354 | 1523 | 700 | 1591 |
| PS500 | 55 | 220 | 965 | 1114 | 1264 | 1604 | 1853 | 700 | 1921 |
| PS750 | 103 | 288 | 830 | 1151 | 1242 | 1467 | 1887 | 910 | 1998 |
| PS1000 | 103 | 296 | 884 | 1153 | 1243 | 1423 | 1905 | 1010 | 2025 |

| Model | Connections | | | | | | |
|--------|-----------------|---------------------------|--------------------------|---------------------------|--------------------------|--------------------------|------------------|
| | A | B | C | D | E | F | G |
| | Cold Water Feed | Lower Primary Coil Outlet | Lower Primary Coil Inlet | Upper Primary Coil Outlet | Recirculation Connection | Upper Primary Coil Inlet | Hot Water Outlet |
| PS160 | R ¾" | R 1" | R 1" | N/A | R ¾" | N/A | R ¾" |
| PS200 | R ¾" | R 1" | R 1" | N/A | R ¾" | N/A | R ¾" |
| PS300 | R 1" | R 1" | R 1" | R 1" | R ¾" | R 1" | R 1" |
| PS400 | R 1" | R 1" | R 1" | R 1" | R ¾" | R 1" | R 1" |
| PS500 | R 1" | R 1" | R 1" | R 1" | R ¾" | R 1" | R 1" |
| PS750 | R 1 ¼" | R 1" | R 1" | R 1" | R ¾" | R 1" | R 1 ¼" |
| PS1000 | R 1 ¼" | R 1" | R 1" | R 1" | R ¾" | R 1" | R 1 ¼" |

Dimensional Details

Powerstock Storage Tanks
ST300 and ST500

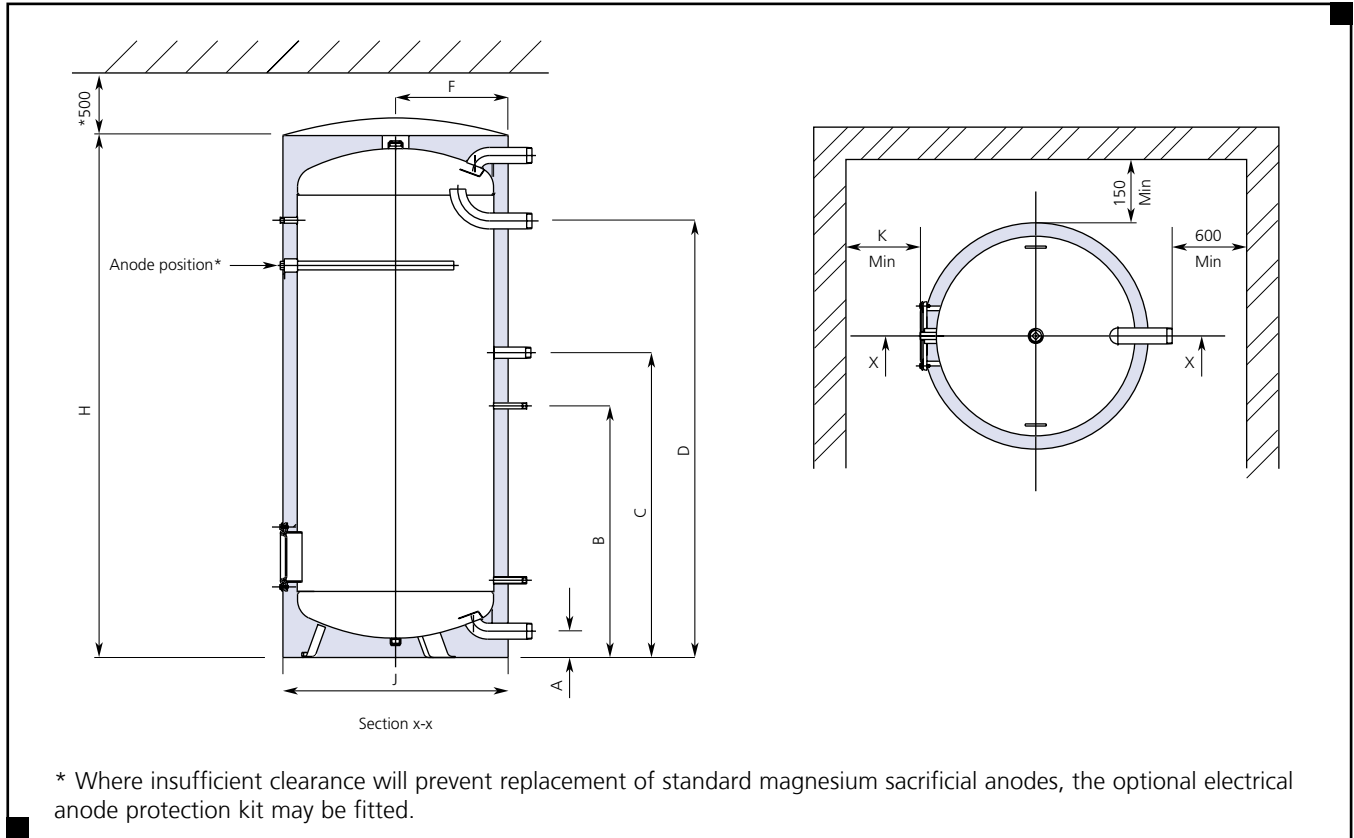


| Model | Dimensions (mm) | | | | | | | | |
|-------|-----------------|------|------|-----|------|-----|-----|------|-----|
| | A | B | C | D | E | F | G | H | J |
| ST300 | 90 | 1180 | 1546 | 272 | 1546 | 327 | 340 | 1836 | 600 |
| ST500 | 55 | 1265 | 1673 | 238 | 1673 | 375 | 392 | 1967 | 700 |

| Model | Connection | | | | |
|-------|------------------|---------------------------------|------------------|-----------------|----------------|
| | A | B | C | D | E |
| | Cold Water Inlet | Circulation Return | Hot Water Outlet | Charging Outlet | Charging Inlet |
| ST300 | R1" | R ³ / ₄ " | R1 ½" | R1 ½" | R1 ½" |
| ST500 | R1" | R ³ / ₄ " | R1 ½" | R1 ½" | R1 ½" |

Dimensional Details

Powerstock Storage Tanks
ST750 and ST1000



| Model | Dimensions (mm) | | | | | | | |
|--------|-----------------|------|------|------|-----|------|------|-----|
| | A | B | C | D | F | H | J | K |
| ST750 | 88 | 1145 | 1640 | 1908 | 515 | 2040 | 915 | 600 |
| ST1000 | 92 | 1154 | 1647 | 1911 | 565 | 2040 | 1010 | 700 |

| Model | Connection | | | |
|--------|-----------------|--------------------|------------------|----------------|
| | A | B | C | D |
| | Charging Outlet | Circulation Return | Hot Water Outlet | Charging Inlet |
| ST750 | R2" | R1 ¼" | R2" | R2" |
| ST1000 | R2" | R1 ¼" | R2" | R2" |