

Dorchester DR-PF Range

Power Flame, Gas or Oil Direct Fired Water Heaters



The Dorchester DR-PF range of power flame water heaters is suitable for the larger load requirements for hot water and consists of 6 models with continuous outputs ranging from 969 to 3241 litres/hour, based on a 44°C temperature rise. Storage capacities range from 271 to 338 litres. Two or more water heaters can be installed in a modular configuration where there is demand for even larger loads.

The DR-PF is fitted with a power flame burner with fully automatic ignition. The water heaters are suitable for firing natural gas, LPG or oil and a Riello gas or oil burner is supplied as standard. The range is particularly suited to installations where a shared flue with other power flame plant is preferred, or in installations where oil fired water heating is required.

Options

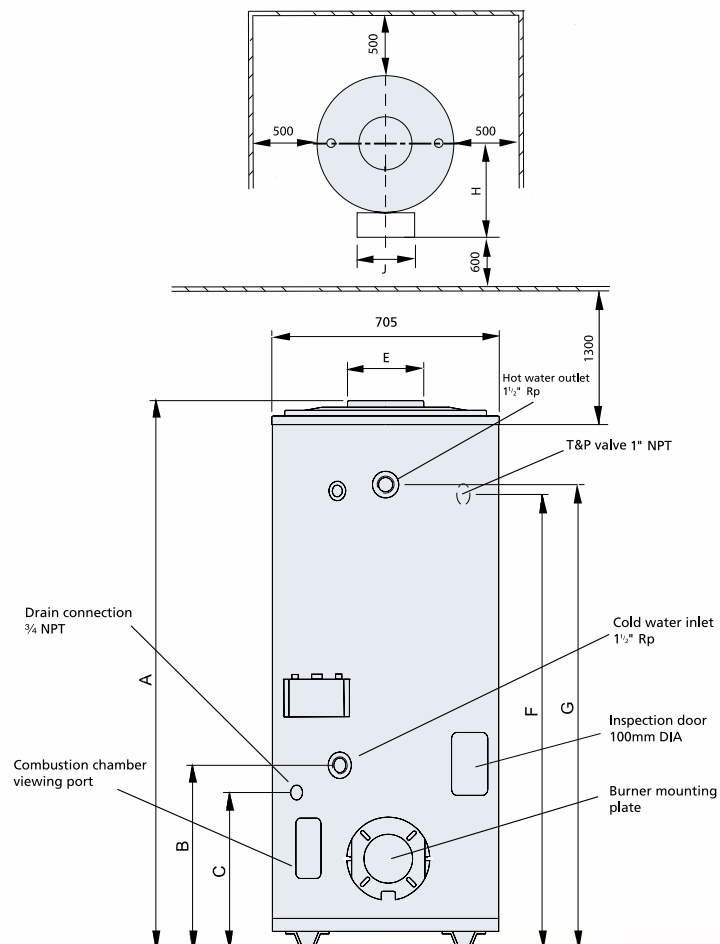
- Natural gas, LPG or Oil fired burner
- Unvented supply kit
- Electrical anode protection
- Top to bottom recirculation kit
- Flexible magnesium sacrificial anodes

The DR-PF range is designed to meet the latest HSC requirements for the control of Legionellosis. The large inspection door provides access for servicing and suitable tappings are included to facilitate top to bottom recirculation.

The water heater is supplied complete with a matched Riello burner and pre-wired control panel with on/off switch, temperature thermostat, power indicator, reset button, powered lockout and run indication connection.

The DR-PF is suitable for use on open vented or unvented systems. An optional unvented supply kit contains all of the additional parts required to satisfy the Water Supply (water fittings) Regulations 1999.

In plant rooms with insufficient headroom clearance for fixed anodes, flexible magnesium sacrificial anodes may be specified as an option.



Model - Oil fired water heaters		DR-PF 55	DR-PF 65	DR-PF 75	DR-PF 95	DR-PF 115	DR-PF 145
Continuous output with 44°C Δt (80°F)	l/h	1012	1214	1417	1823	2225	3241
	UK gal/h	222	267	312	401	489	713
Storage capacity	litres	338	338	333	296	296	271
	UK gal	74	74	73	65	65	60
Time to recover storage 44°C Δt (80°F)	mins	20	16	13	9	8	5
Heater output	kW	51.7	62.1	72.4	93.2	113.7	165.6
Oil input rate	l/h	6.4	7.6	8.9	11.4	14.0	20.4
	UK gal/h	1.4	1.7	1.9	2.5	3.1	4.5

Common data		Model	DR-PF 55	DR-PF 65	DR-PF 75	DR-PF 95	DR-PF 115	DR-PF 145
Maximum water pressure (open vented)	bar		8					
	psig		116					
Water outlet & inlet connection	in		1½" Rp					
Drain & recirculation connection	in		¾" NPT					
Flue Connection	mm		150		200			250
	in		6		8			10
Electrical supply			230v 50Hz 1Ph					

Model - Natural gas fired water heaters		DR-PF 55	DR-PF 65	DR-PF 75	DR-PF 95	DR-PF 115	DR-PF 145	
Continuous output with 44°C Δt (80°F)	l/h	969	1210	1452	1855	2177	2821	
	UK gal/h	213	266	319	408	479	621	
Storage capacity	litres	338	338	333	296	296	271	
	UK gal	74	74	73	65	65	60	
Time to recover storage 44°C Δt (80°F)	mins	19	15	12	8	7	5	
Heater output	kW	49.5	61.8	74.2	94.8	111.2	144.1	
Gas input rate	m³/h	6.4	7.9	9.5	12.2	14.3	18.5	
	ft³/h	226	279	335	431	505	653	
Gas connections	in		¾" Rp					1¼ Rp

Dimensions in mm			DR-PF 55	DR-PF 65	DR-PF 75	DR-PF 95	DR-PF 115	DR-PF 145
Overall height	A		1900					2025
Cold water inlet	B		685			640		765
Drain connection	C		585			605		746
Flue spigot	E		150*	200				250*
T&P valve	F		1700			1630		1770
Hot water outlet	G		1720			1650		1785
Burner width	H	Oil	575			601		
		Gas	625			653		
Width including burner	J	Oil	255			300		
		Gas	255			300		

* After fitting flue reducer

Standard Features

- Riello burner
- Fully automatic ignition
- Multi-tube heat exchanger
- Control thermostat range 40°C to 80°C
- Magnesium sacrificial anodes
- Powered lockout & run indication connection
- Inspection door