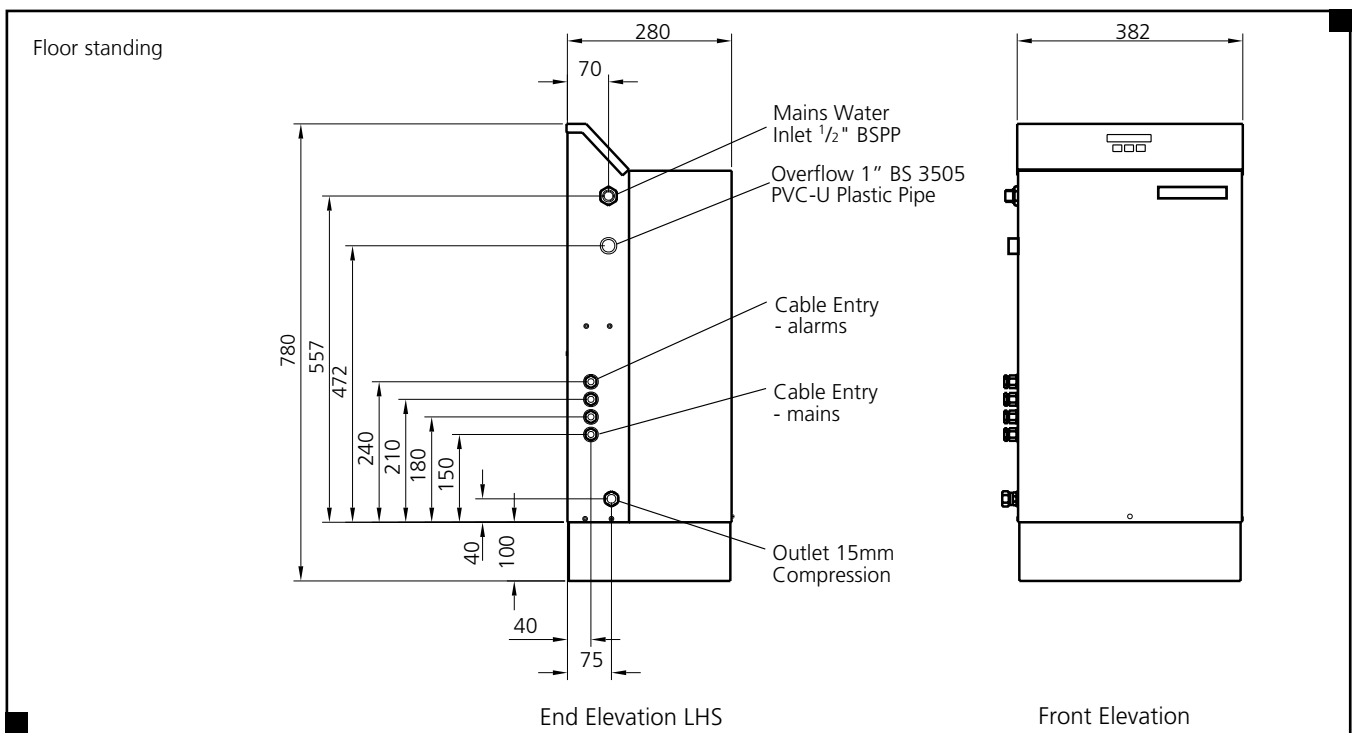
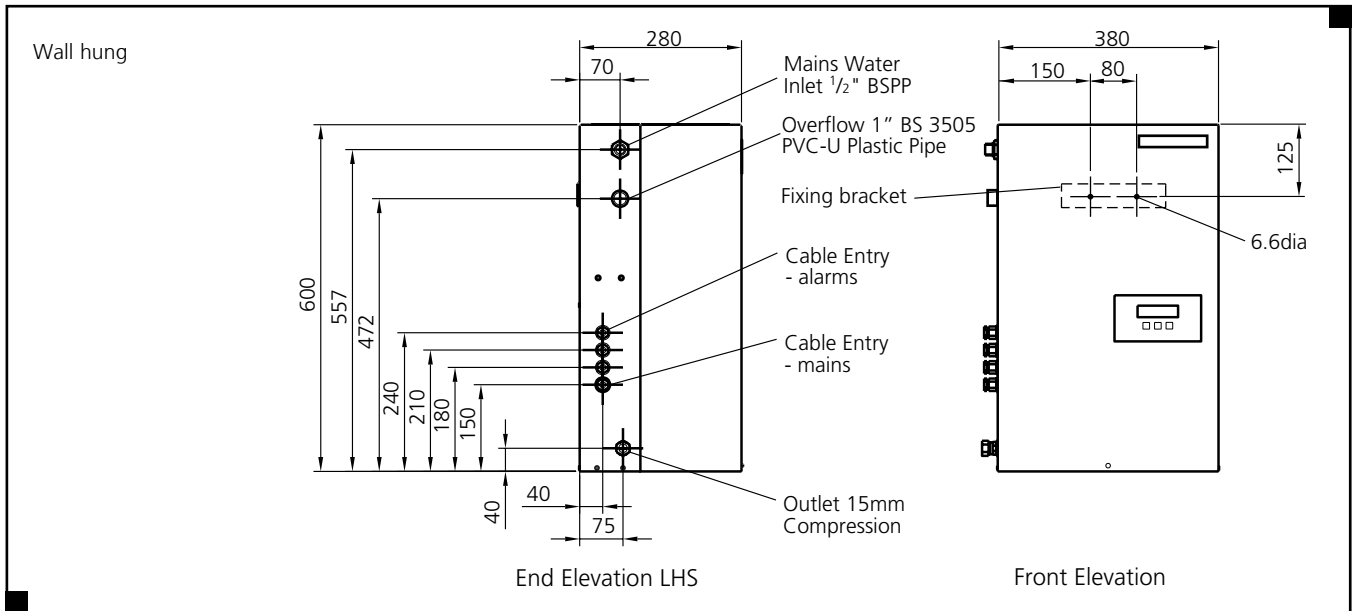


Dimensional Details

Chesil Pressurisation Units



Minimum recommended clearances for access and maintenance

	Wall hung models - mm	Floor standing models - mm
Top	100	300
Sides	100	100
Front	600	600
Bottom	450	-