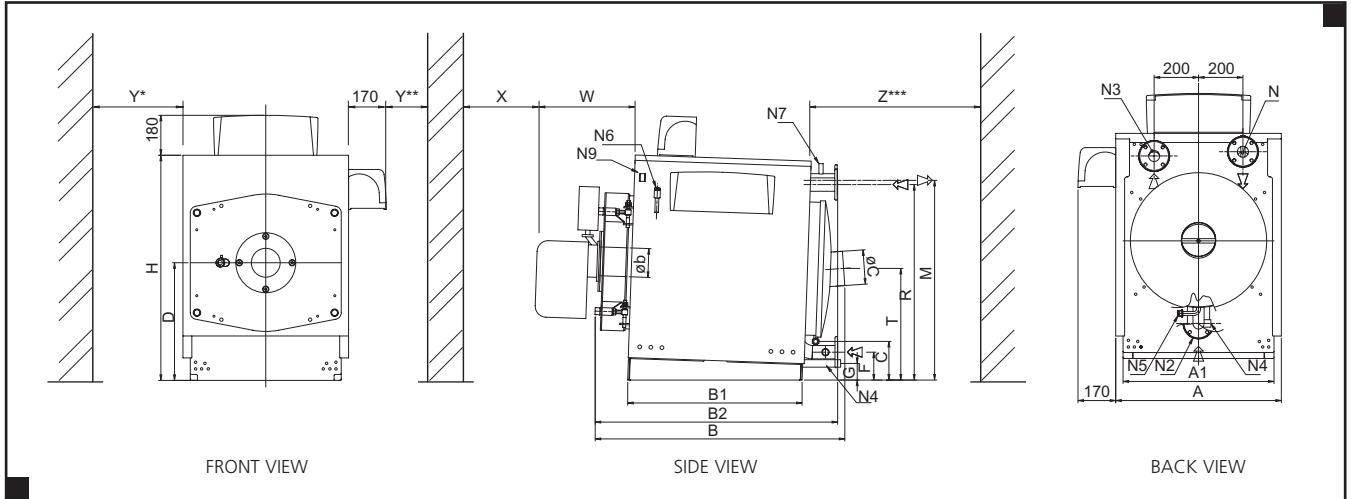


Dimensional Details

Ansty Single Boiler Models



Single Boilers

Notes:

The Control panel can be mounted on top or side casing.

When installing more than 2 boilers it is recommended that only 2 are close spaced with access provided between 2nd & 3rd boilers.

ANSTY									
Model			AS75	AS90	AS120	AS160	AS220	AS270	AS320
Casing width	A	mm	746	746	746	846	846	976	976
Frame width	A1	mm	680	680	680	780	780	920	920
Overall length	B	mm	1155	1155	1155	1155	1435	1455	1455
Body length	B1	mm	785	785	785	785	1040	1040	1040
Boiler length	B2	mm	1093	1093	1093	1119	1398	1436	1436
Condense drain	C	mm	174	174	174	174	174	110	110
Burner	D	mm	529	530	530	580	580	580	580
Return	F	mm	125	126	126	126	126	163	163
Boiler drain	G	mm	125	126	126	126	126	75	75
Boiler height	H	mm	1015	1015	1015	1115	1115	1115	1115
Flow	M	mm	900	900	900	1000	1000	973	973
Return	R	mm	881	881	881	980	980	952	952
Flue	T	mm	503	503	503	553	553	555	555
Flue Connection	ØiC	mm	151	151	151	181	181	201	201
Flow/Return/Connection PN6	N1/N2/N3	DN	50	50	50	50	50	65	65
Boiler drain	N4	in	3/4"	3/4"	3/4"	3/4"	3/4"	3/4"	3/4"
Condense drain	N5	in	3/4"	3/4"	3/4"	3/4"	3/4"	1"	1"
Sensor pockets	N6/N7	in	1/2"	1/2"	1/2"	1/2"	1/2"	1/2"	1/2"
Air Vent tapping	N9	in	-	-	-	-	-	1/2"	1/2"
Clearances									
Burner Depth	W	mm	238	238	262	262	580	580	580
Front Access	X	mm	455	455	455	455	455	455	455
Side Access	Y*	mm	350	350	350	350	350	350	350
Rear Access	Z***	mm	500	500	500	500	500	500	500

*Y Dimension -

It is recommended this clearance is maintained at least on 1 side for rear access to pipe connections and flue. Where 2 boilers are used the minimum space between boilers is 60mm to facilitate fitting the casing.

**Y Dimension -

Where using side mounted control panels this is the minimum recommended clearance to facilitate access to thermostats and switches.

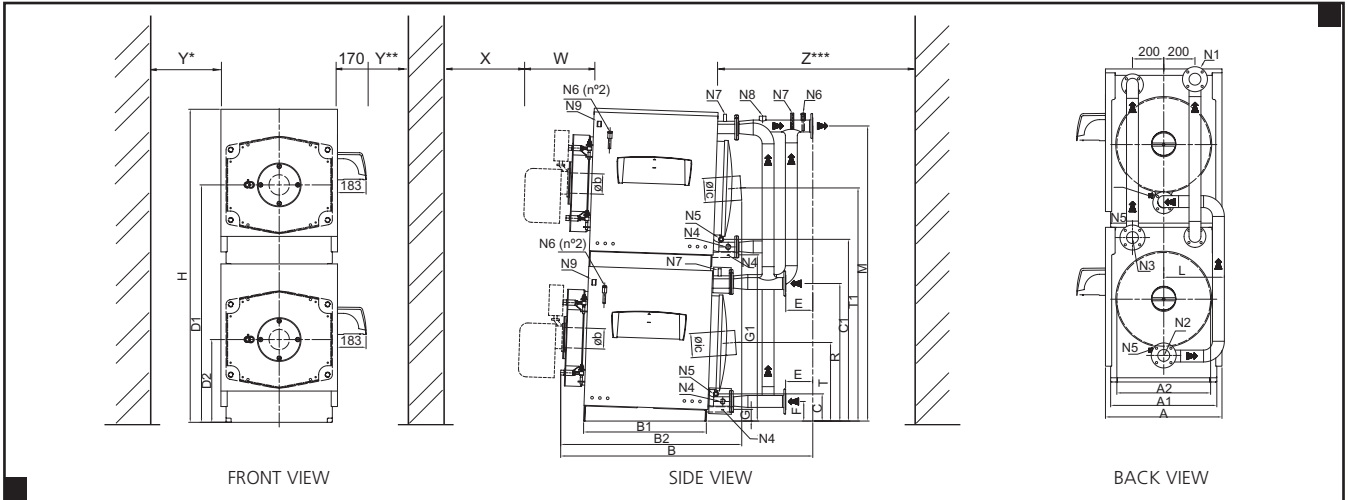
***Z Dimension -

This dimension is a minimum recommendation permitting access to rear of boiler for maintenance. It may not however be adequate for the flue installation.

Where necessary the dimension must be increased accordingly.

Dimensional Details

Ansty Dual Boiler Models



Dual Boilers

			ANSTY						
Model			AD150	AD180	AD240	AD320	AD440	AD540	AD640
Boiler width	A	mm	746	746	746	846	846	976	976
Foot width	A1	mm	680	680	680	780	780	920	920
Overall length	B	mm	1642	1642	1642	1647	1982	1996	1996
Body length	B1	mm	785	785	785	785	1040	1040	1040
Boiler length	B2	mm	1188	1188	1188	1192	1463	1484	1484
Condense drain	C	mm	174	174	174	174	174	110	110
Condense drain	C1	mm	1163	1163	1163	1263	1274	1202	1202
Burner Ø	D	mm	530	530	530	580	580	580	580
Burner Ø	D1	mm	1520	1520	1520	1670	1670	1670	1670
	E	mm	173	173	173	173	201	201	201
Return	F	mm	126	126	126	126	126	163	163
Boiler drain	G	mm	126	126	126	126	126	75	75
Boiler drain	G1	mm	-	-	-	-	-	1165	1165
Boiler height	H	mm	2004	2004	2004	2204	2204	2204	2204
Manifold to Ø	L	mm	388	388	388	388	388	606	606
Flow	M	mm	1889	1889	1889	2089	2089	2062	2062
Return	R	mm	881	881	881	980	980	952	952
Flue	T	mm	503	503	503	553	553	555	555
Flue	T1	mm	1492	1492	1492	1642	1644	1645	1645
Flue Connection	ØiC	mm	151	151	151	181	181	201	201
Draught tube opening	Øb	mm	130	130	130	145	145	180	180
Flow/Return/Connection PN6	N1/N2/N3	DN	50	50	50	50	80	80	80
Boiler drain	N4	in	3/4"	3/4"	3/4"	3/4"	3/4"	3/4"	3/4"
Condense drain	N5	in	3/4"	3/4"	3/4"	3/4"	3/4"	1"	1"
Sensor pockets	N6/N7	in	1/2"	1/2"	1/2"	1/2"	1/2"	1/2"	1/2"
Gauge tapping	N8	in	1"	1"	1"	1"	1"	1"	1"
Air vent tapping	N9	in	-	-	-	-	-	1/2"	1/2"
Clearances									
Burner depth	W	mm	238	238	262	262	580	580	580
Front Access	X	mm	455	455	455	455	455	455	455
Side Access	Y*	mm	350	350	350	350	350	350	350
Rear Access	Z***	mm	1000	1000	1000	1000	1000	1000	1000
Side Clearance	Y1**	mm	300	300	300	300	300	300	300

*Y Dimension -

It is recommended this clearance is maintained at least on 1 side for rear access to pipe connections and flue. Where 2 boilers are used the minimum space between boilers is 60mm to facilitate fitting the casing.

**Y Dimension -

Where using side mounted control panels this is the minimum recommended clearance to facilitate access to thermostats and switches.

***Z Dimension -

This dimension is a minimum recommendation permitting access to rear of boiler for maintenance. It may not however be adequate for the flue installation.

Where necessary the dimension must be increased accordingly.

Note:

When installing more than 2 boilers it is recommended that only 2 are close spaced with side access provided between 2nd & 3rd boilers.