

WESSEX MODUMAX 110 & 120 WATER MANIFOLD KITS

**For Multiple 110/220, 110/330,
120/240 & 120/360 Boilers**

Valved Water Manifold Kits

**INSTALLATION, COMMISSIONING AND
SERVICING INSTRUCTIONS**

IMPORTANT NOTE

**THESE INSTRUCTIONS MUST BE READ
AND UNDERSTOOD BEFORE INSTALLING,
COMMISSIONING, OPERATING OR
SERVICING EQUIPMENT**

Customer Services

Technical Enquiries



01202 662527/662528

To supplement the detailed technical brochures, technical advice on the application and use of products in the Hamworthy Heating range is available from our technical team in Poole and our accredited agents.

Site Assembly



01202 662555

Hamworthy offer a service of site assembly for many of our products in instances where plant room area is restricted. Using our trained staff we offer a higher quality of build and assurance of a boiler built and tested by the manufacturer.

Commissioning



01202 662555

Commissioning of equipment by our own engineers, accredited agents or specialist sub – contractors will ensure the equipment is operating safely and efficiently.

Maintenance Agreements



01202 662555

Regular routine servicing of equipment by Hamworthy service engineers inspects the safety and integrity of the plant, reducing the risk of failure and improving performance and efficiency. Maintenance agreements enable our customers to plan and budget more efficiently.

Breakdown service, repair, replacement



01202 662555

Hamworthy provide a rapid response breakdown, repair or replacement service through head office at Poole and accredited agents throughout the UK.

Spare Parts



01202 662525

A comprehensive spare parts service is operated from our factory in Poole, providing replacement parts for both current and discontinued products. Delivery of parts and components is normally from stock within seven days. However, a next day delivery service is available for breakdowns and emergencies.

WESSEX MODUMAX 110 & 120 WATER MANIFOLD KITS

**For Multiple 110/220, 110/330,
120/240 & 120/360 Boilers**

Valved Water Manifold Kits

INSTALLATION, COMMISSIONING AND SERVICING INSTRUCTIONS

**NOTE: THESE INSTRUCTIONS SHOULD BE READ
AND UNDERSTOOD BEFORE ATTEMPTING
TO INSTALL, COMMISSION OR OPERATE THIS UNIT!**

THESE INSTRUCTIONS MUST BE READ IN CONJUNCTION WITH
THE WESSEX MODUMAX 110 / 120
INSTALLER'S GUIDE (HHL Part No. 500001123)

**PUBLICATION NO. 500005117
ISSUE 'A'
January 2005**

CONTENTS	PAGE
Front Page	i
Contents	ii
1.0 GENERAL INSTRUCTIONS	1
2.0 ASSEMBLY	2

TABLES: -

1a	Wessex ModuMax 110/220, 120/240 Kit of Parts	1
1b	Wessex ModuMax 110/330, 120/360 Kit of Parts	2

FIGURES: -

1	Water Manifold Assembled - General Overview	2
2	Parts Identification Exploded View	3
2.3	Valve Orientation (drain)	3
2.4	Fitting Primofix Adaptors to Drain Valves	4
2.5	Valve Orientation (vent)	4
2.7	Fitting Primofix Adaptors to Vent Valves	4
2.8	Overview of Water Manifold Assembly	5
2.11	Gas Manifold Pipe Assembly	5
2.13	Valve Positions on Manifold Assembly	6
2.16	Plan View of Vent Pipe Assembled	6
2.17	Screw Adjustment	6
3	Wessex ModuMax 110/220, 120/240 Dimensional Overview	7
4	Wessex ModuMax 110/330, 120/360 Dimensional Overview	8

1.0 GENERAL INSTRUCTIONS

These instructions MUST be read in conjunction with the Wessex ModuMax 110, 120 Installer's Guide (HHL Part No. 500001123).

SAFETY NOTE: All safety instructions referred to in the Installer's Guide must be adhered to, and a competent person must carry out all works referred to in this instruction.

These water manifold kits are specifically for use with Wessex ModuMax series boilers.

All manifold components are pressure tested prior to despatch.

NOTE: This water manifold kit is intended for use as reverse-return. However, should the manifold flow and return connections terminate on the same side, ensure that system design water flow rates are achieved through each boiler module.

1.1 Delivery

Remove all packing material and, referring to Table Nos. 1a & 1b, inspect the equipment to ensure that all parts are present and undamaged.

If in any doubt, DO NOT USE THE EQUIPMENT. Instead, contact HHL Technical Department.

Familiarise yourself with the parts and how they assemble together by referring to Figures 1 and 2.

Table No. 1a—WESSEX MODUMAX 110/220, 120/240 - WATER MANIFOLD KIT

HHL Part No.	Description	Qty
562702034	2 Point Water Manifold Assembly	1
530502006	1" SA Union	4
532403137	Gas Manifold Link Pipe R 1"	2
742227082	Taper Plug	2
742221184	Rp 2" Cap	1
531911031	3 Port Valve	4
532812003	Water Manifold Vent Pipe (2 Way)	1
532403151	Flexible, Stainless Steel Braided Hose	4
533604002	Primofix Adaptor	6
563605295	Bag of Fasteners, comprising of:	
	M16 x 70 Hex Head Bolts	32
	M16 Spring Washers	32
	M16 Full Nuts	32

Table No. 1b—WESSEX MODUMAX 110/330, 120/360 - WATER MANIFOLD KIT

HHL Part No.	Description	Qty
562702035	3 Point Water Manifold Assembly	1
530502006	1" SA Union	6
532403137	Gas Manifold Link Pipe R 1"	3
742227082	Taper Plug	3
742221184	Rp 2" Cap	1
531911031	3 Port Valve	6
532812004	Water Manifold Vent Pipe (3 Way)	1
532403151	Flexible, Stainless Steel Braided Hose	6
533604002	Primofix Adaptor	9
563605295	Bag of Fasteners, comprising of: M16 x 70 Hex Head Bolts M16 Spring Washers M16 Full Nuts	32 32 32

Figure No. 1 - WESSEX MODUMAX WATER MANIFOLD KIT - ASSEMBLED

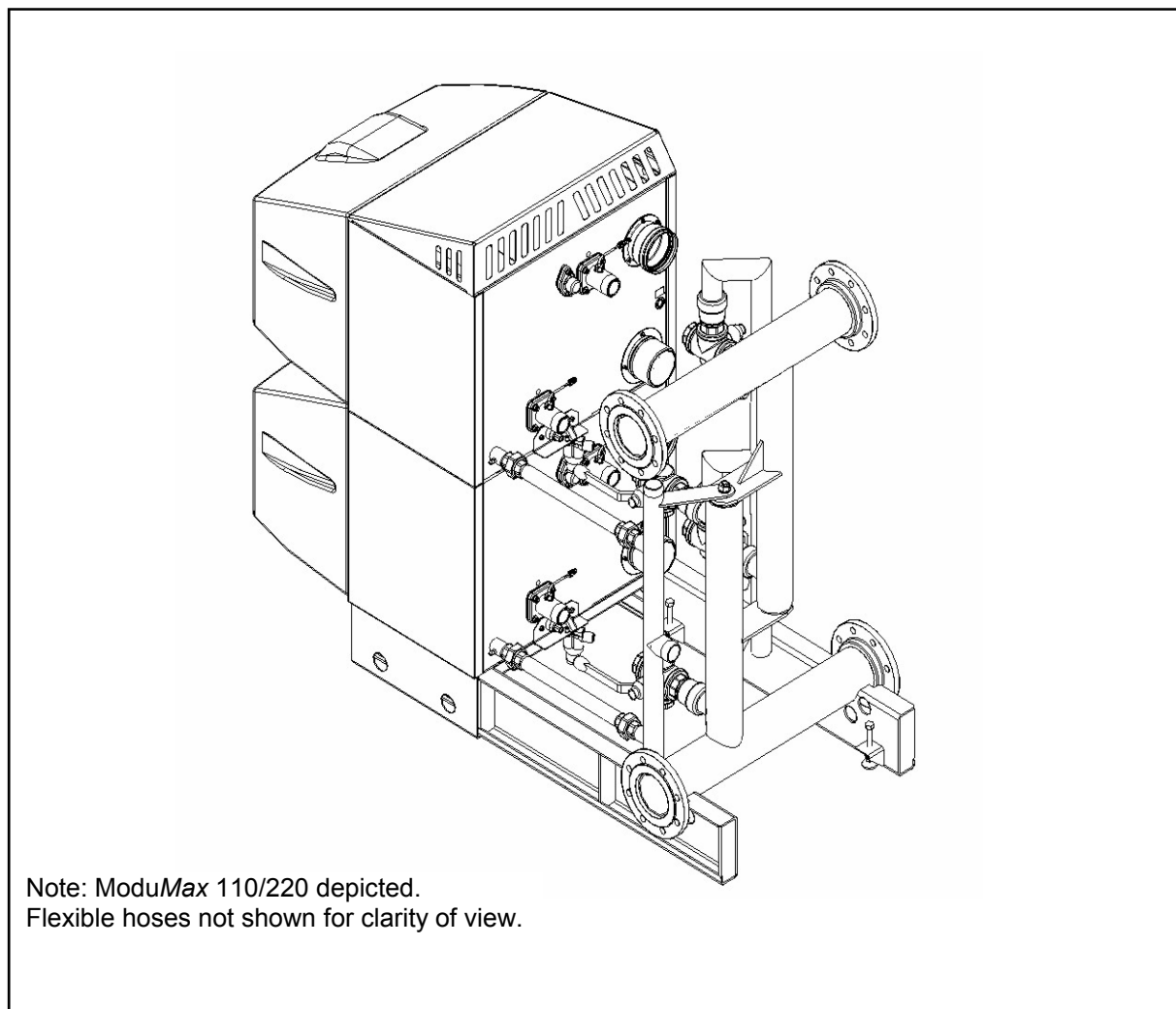
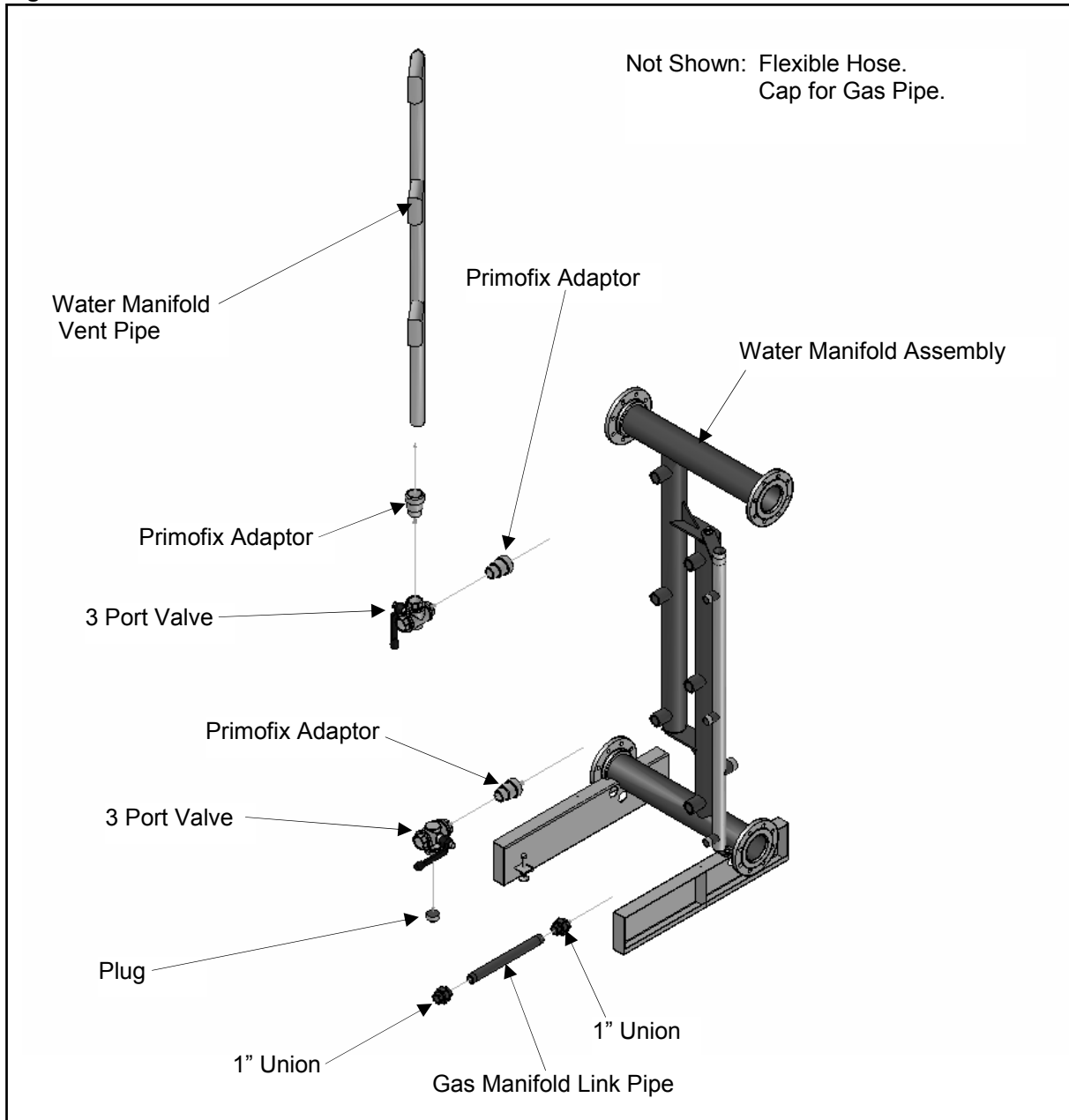


Figure No. 2 - WESSEX MODUMAX WATER MANIFOLD KIT - PARTS IDENTIFICATION CHART



2.0 ASSEMBLY INSTRUCTIONS

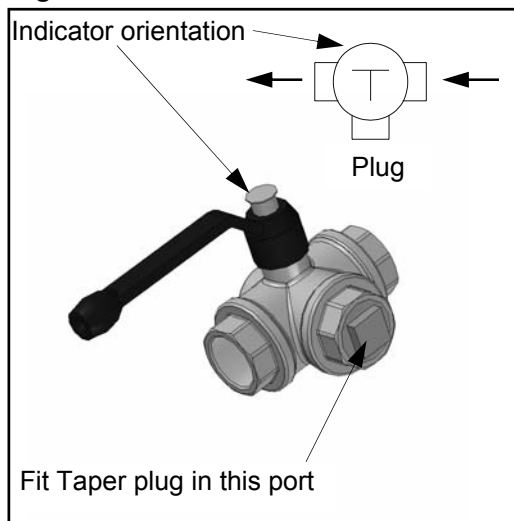
2.1 Select half of the consignment of 3 port valves (i.e. 2 off for ModuMax 110/220 or 120/240, 3 off for ModuMax 110/330 or 120/360).

2.2 Select taper plugs (742227082) and fit into port on valve as indicated in Figure 2.3 using proprietary thread sealant (not HHL supply).

BEFORE ATTEMPTING TO ADJUST VALVES READ NOTE ON PAGE 4 RE: HANDLE ADJUSTMENT.

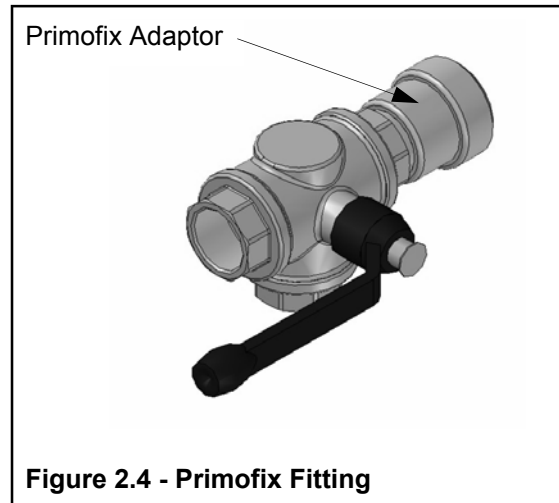
2.3 Loosen handle and manoeuvre into position such that flow is straight through when handle is pointing horizontally towards the boiler and flow is directed downwards when handle is pointing straight down, as indicated in figure 2.3.

Figure 2.3 - Valve Orientation



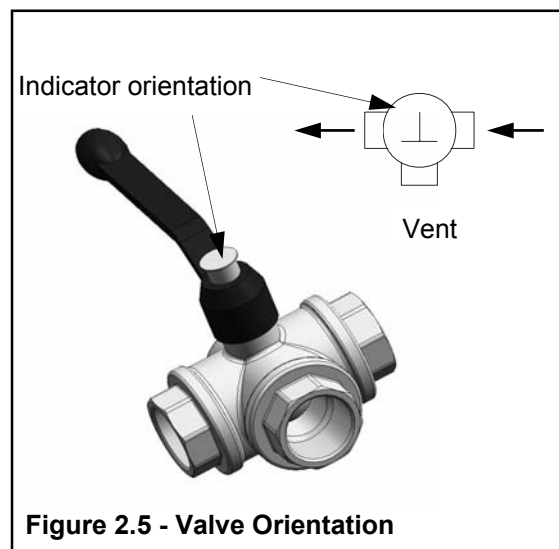
2.4 Attach a primofix adaptor to the rear port using proprietary thread sealant (not HHL supply) as shown in figure 2.4.

NOTE RE: HANDLE ADJUSTMENT: To adjust the valve, pull the handle away from the valve such that the interlock is free and rotate the handle to the desired position. The ball should be adjusted with the handle in interlock position. Remove and discard the attached label.

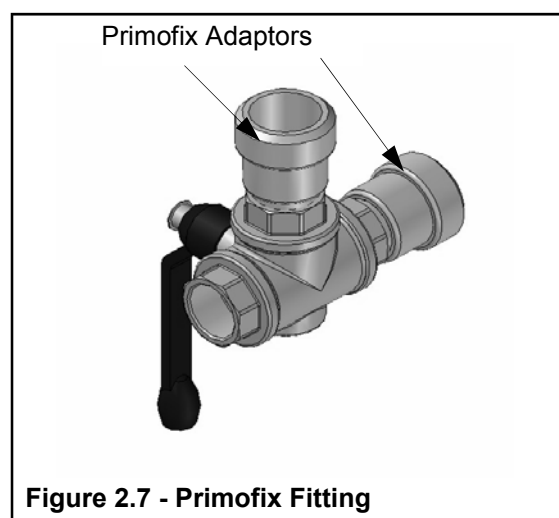


2.5 Select remainder of the consignment of 3 port valves (i.e. 2 off for ModuMax 110/220, 3 off for ModuMax 110/330).

2.6 Loosen handle and manoeuvre such that when the handle is pointing downwards as shown in figure 2.5 the flow is straight through, and when the handle is turned horizontally towards the boiler, the flow is directed upwards.



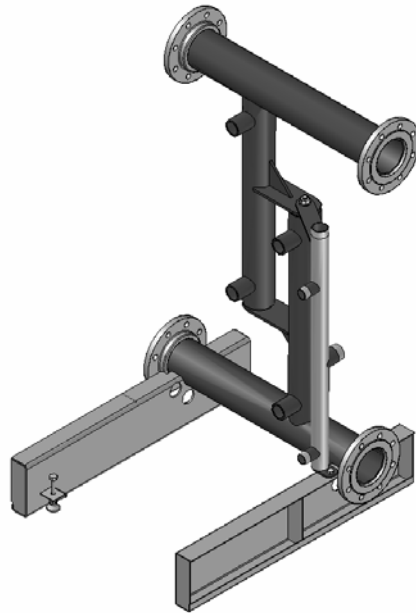
2.7 Attach primofix adaptors to the rear port and to the upper (mid) port using proprietary thread sealant (not HHL supply) as shown in figure 2.7.



2.8 Select Water Manifold Assembly and position as required in plant room. On final assembly the channel feet of this assembly should be squarely positioned against the rear of the boiler but, at this point, do not position Manifold Assembly directly against boiler. To allow yourself room to manoeuvre it is advised to position assembly approximately 300mm back from its final location.

NOTE: Final assembly will be raised 5mm from floor level on adjustable feet (see Figure 2.17 on next page). Adjustment may be made at this point but, to avoid damage to adjustable feet, it is advised to keep them retracted at this stage

Figure 2.8 Water Manifold Assembly



2.9 Select 2" Gas Cap and, using proprietary thread sealant (not HHL supply) ,cap off either the top or the rear gas inlet on the Gas Manifold.

2.10 Select Flexible stainless steel water hoses (4 off for 110/220, 120/240, 6 off for 110/330 or 120/360 assemblies) and using proprietary thread sealant (not HHL supply) attach to the water flow and return pipes which exit from the rear of each boiler section.

NOTE: Should further gaskets be required, they are available from Hamworthy Heating Ltd - HHL Part Number 531201038.

2.11 Select 1" gas manifold pipes and, using proprietary thread sealant (not HHL supply), attach 1" unions to both ends as shown in Figure 2.11.

2.12 Attach the union at one end of this pipe to the corresponding gas exit from the rear of each boiler section.

Figure 2.11 Gas Manifold Pipes.



2.13 Select previously assembled valves and position loosely on water pipe stubs as shown in Figure 2.13.

NOTE: DO NOT SECURE AT THIS TIME.

2.14 Slide Water Manifold Assembly towards its final position at back of boiler, securing valves to flexible hoses and gas pipes to gas manifold.

The whole assembly should now be butted squarely up against the rear of the boiler.

2.15. Secure the Primofix Adaptors to the stubs on the Water Manifolds carefully following instructions supplied with adaptors and ensuring that when fully tightened the valves are oriented as shown in Figure 2.13

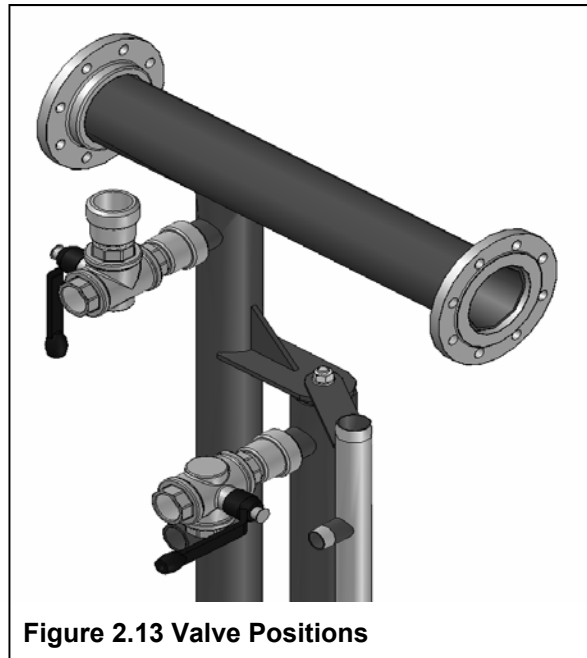


Figure 2.13 Valve Positions

2.16 Select the Water Manifold Vent Pipe and fit into Primofix Adaptors in top of 3 port valves, securing as instructions supplied with adaptors.

Note: In order to avoid interference with valve handles, angle the vent pipe backwards away from boiler as shown in Figure 2.16.

2.17. Once Manifold Assembly has been satisfactorily positioned, lower the adjusting screws so that the base of the assembly stands on the swivel pads and is approximately 5mm clear of the floor, see Figure 2.17.

NOTE: Should the plant room floor be uneven or sloped, adjust levelling screws further until a satisfactorily level assembly has been achieved.

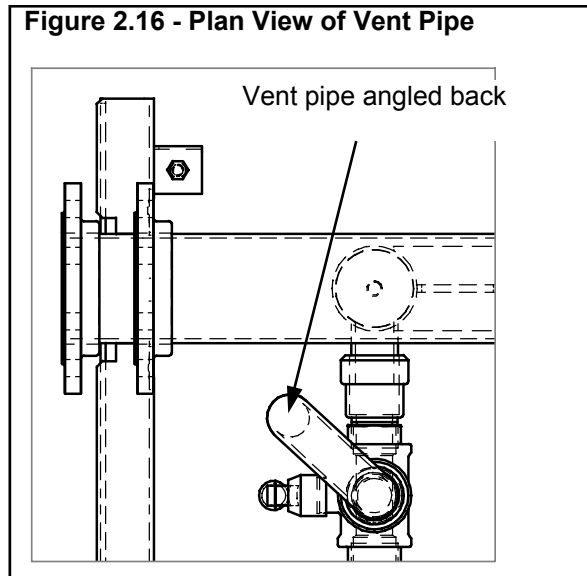
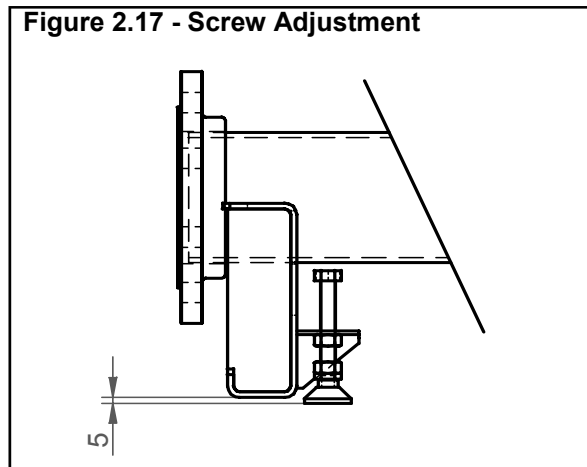


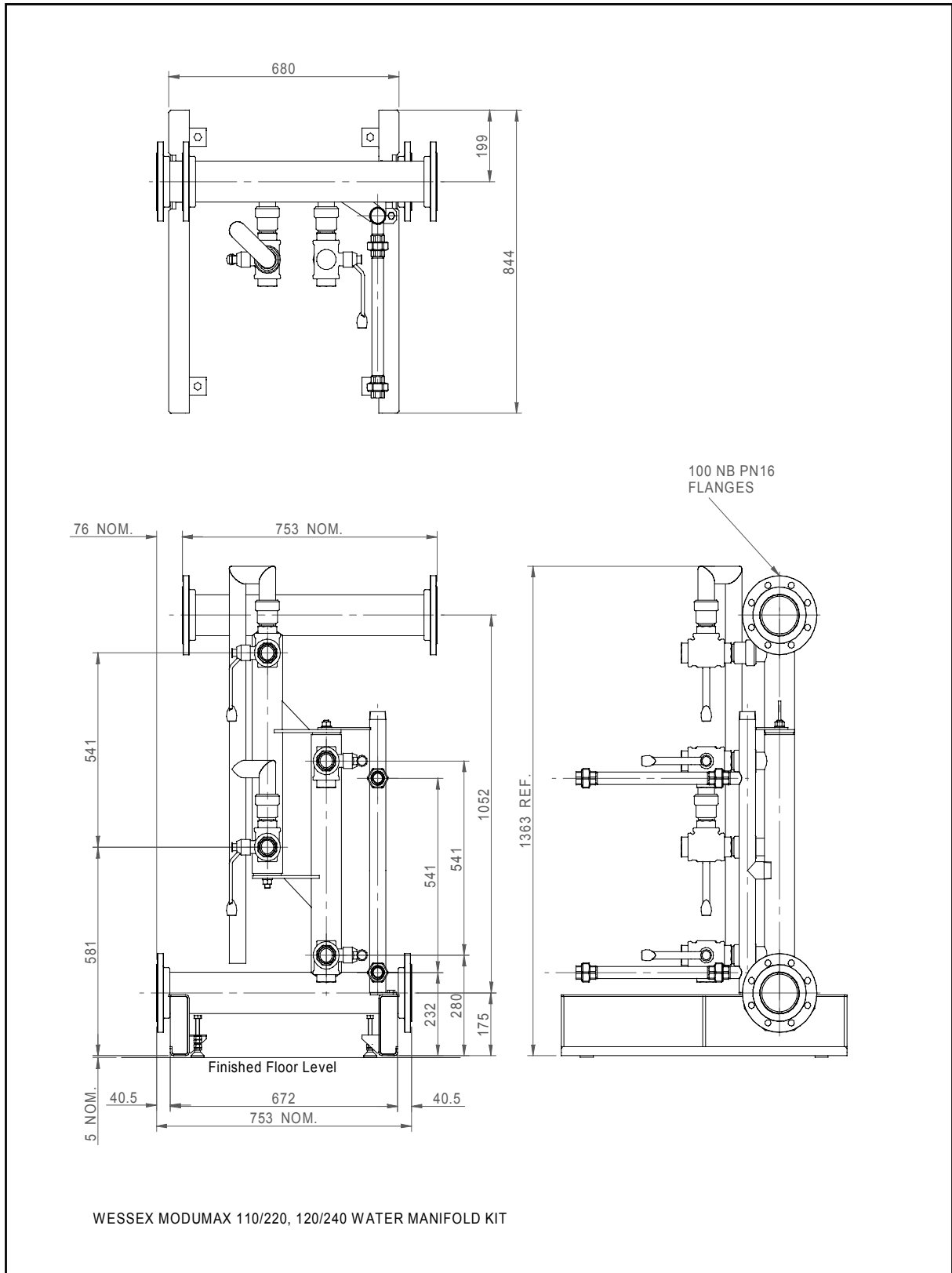
Figure 2.17 - Screw Adjustment

2.18 Drain valves and safety valves (not HHL supply) should now be installed (N.B. it is recommended that safety valves should be of the high-lift type). Reducing bushes may be required if the valves are of a smaller size (not HHL supply).

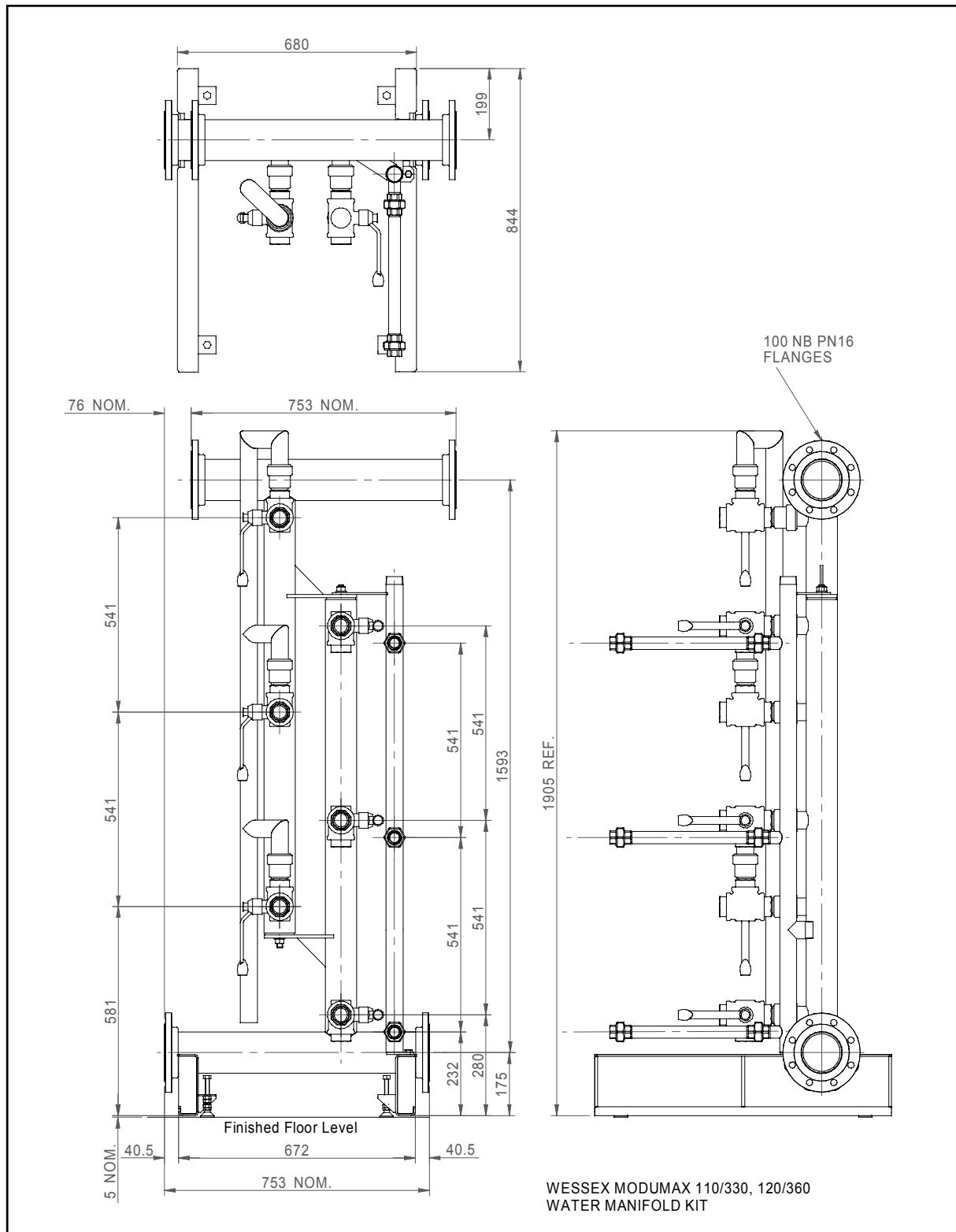
2.19. Automatic air vents (not HHL supply) or open vent connections may also be installed.



2.20. Test and commission as instructed in boiler Installer's Guide (HHL Part No. 50001123).



**Figure 3 - WESSEX MODUMAX 110/220, 120/240 WATER MANIFOLD KIT
(ALL DIMENSIONS IN MILLIMETRES)**



**Figure 4 - WESSEX MODUMAX 110/330, 120/360 WATER MANIFOLD KIT
(ALL DIMENSIONS IN MILLIMETRES)**

NOTES

NOTES

--

INSTALLER

SITE ADDRESS

--

--

Notes



Connect direct




Direct Dial Telephone and Fax Numbers



- boilers
- controllers
- water heaters
- pressurisation sets

Poole Office

Hamworthy Heating Limited
Fleets Corner, Poole, Dorset BH17 0HH England
Main switchboard tel: **01202 662500**

Technical enquiries	 01202 662527/662528	 01202 665111
Spare parts	 01202 662525	 01202 665111
Service department	 01202 662555	 01202 662522



- flue components
- packaged fan dilution systems
- bespoke flue components
- bespoke flue systems
- design and installation

Birmingham Office

Hamworthy Heating Limited
Shady Lane, Great Barr, Birmingham B44 9ER
Main switchboard tel: **0121 360 7000** fax: **0121 325 2309**

General enquiries  **0121 360 7000**

Direct Email Addresses

Customer Services spares@hamworthy-heating.com
service@hamworthy-heating.com
technical@hamworthy-heating.com
sales.flues@hamworthy-heating.com

Hamworthy Heating Accredited Agents

North West England

Gillies Modular Services
210-218 New Chester Road, Birkenhead, Merseyside L41 9BG
tel: **0151 666 1030** fax: **0151 647 8101**

Southern Ireland

HEVAC Limited
Naas Road, Dublin 12, Ireland
tel: **00 3531 141 91919** fax: **00 3531 145 84806**

Northern Ireland

HVAC Supplies Limited
Unit 2, Antrim Line Business Park, Sentry Lane, Newtownabbey BT36 8XX
tel: **02890 849826** fax: **02890 847443**

Scotland

McDowall Modular Services
14-46 Lomond Street, Glasgow, Scotland G22 6JD
tel: **0141 336 8795** fax: **0141 336 8954**

North East England

Allison Heating Products
17 Beech Road, South Shields, Tyne & Wear NE33 2QH
tel: **0191 455 7898** fax: **0191 455 7899**

Website

www.hamworthy-heating.com

Associate Companies, Offices and Agents throughout the World.

Hamworthy reserves the right to make changes and improvements which may necessitate alteration to the specification without prior notice.