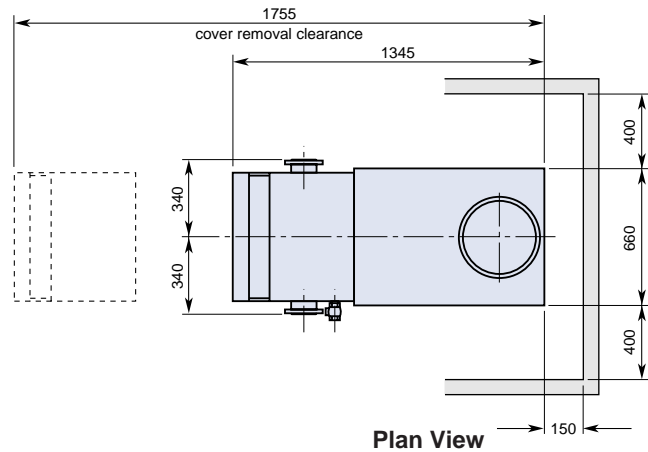


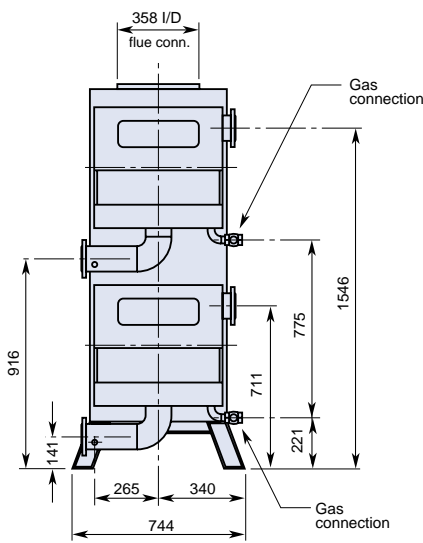
Dimensional Details

Wessex-HE County

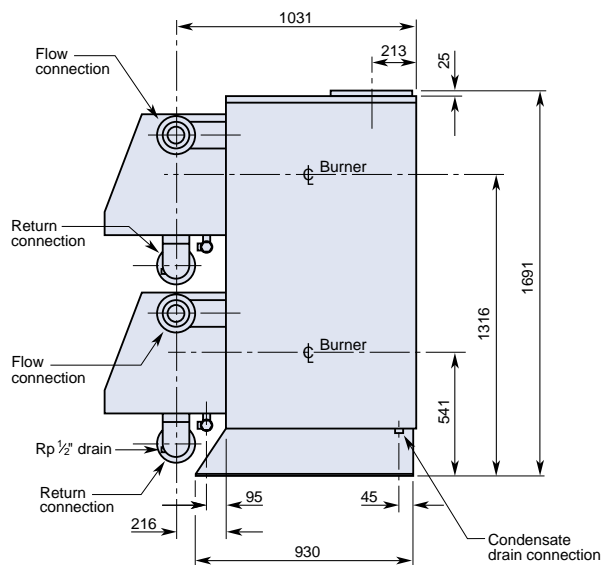
Dimensions in mm



Plan View



Front View



Side View

Wessex-HE County

Boiler Model	No. of 200kW Modules	Output		Shipping Weight (kg) approx.	Flow & Return Flanged BS 4504 PN6	Gas Connection	Nominal Flue Bore
		kW	Btu/h x 1000				
County 200	1*	200	682	315	80	Rc1"	350
County 400	2	400	1365	515	80	Rc1"	350

* County 400 with one 200kW module blanked off.

Flue Condensate Drain

Each module casing is fitted with an Rc 3/4" socket connection. The drain must be 15mm (1/2") ID minimum having a fall of at least 3° (approx. 5cm per metre) and consist of non-corrodible material leading to a gully via a waste trap.

Installation Clearances

Wessex-HE County boilers should be positioned to allow minimum clearance of 150mm to rear and 400mm to each side, from adjacent walls or equipment, to facilitate inspection. Access will be required to the rear of the boiler for connecting condensate drain pipework.