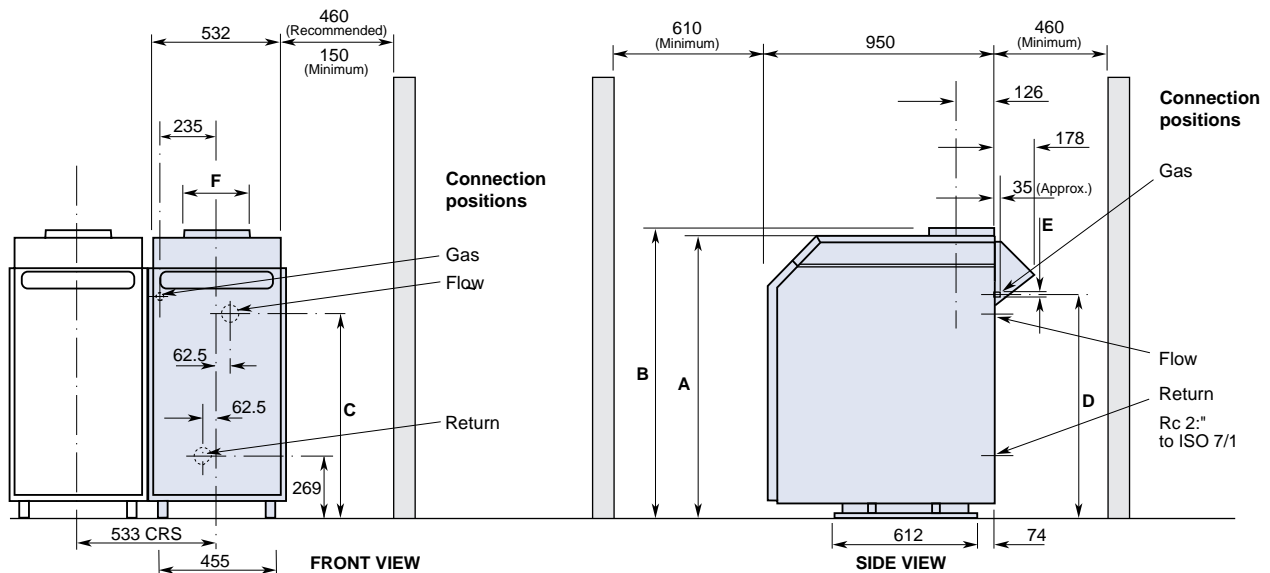


Dimensional Data

Purewell Integra Boiler Dimensions/Clearances



Single units

Model	PI 40	PI 70	PI 100
Approx. dry weight kg.	240	290	350
A - Boiler height (Casing) mm.	1007	1195	1195
B - Flue height from floor mm.	1035	1126	1201
C - Flow connection height mm.	580	667	761
D - Gas connection height mm.	769	769	957
E - Gas connection size - BSP.T Male	R ³ / ₄ "	R ³ / ₄ "	R1"
F - Flue outlet Dia. mm. (nominal)	206	206	256

Note: The 533 centres relates to boilers close coupled in modular form. For stand alone applications, a minimum of 150mm should be allowed between casings. (Space baskets 200mm apart).

Purewell Integra Modular Boilers

Modular boiler systems

Multiple boilers installed on the modular principle allow each boiler to contribute part of the load.

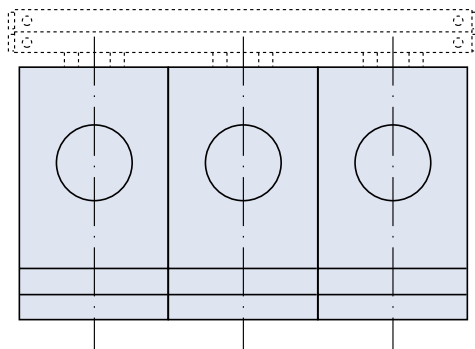
Each active boiler can operate at full load for optimum efficiency and through a sequence control system can be fired in turn until the sum of the boilers working equals the load.

The Purewell is designed for outstanding efficiency and in a modular configuration offers a greater degree of control.

Modular selections

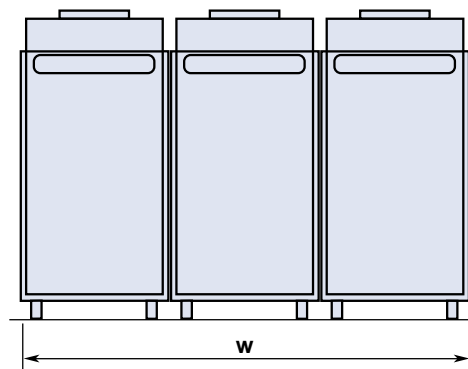
The table opposite shows the configuration for Purewell Integra boilers.

Details are given for up to six boilers in each module, and by adding modules the system output is infinitely variable.

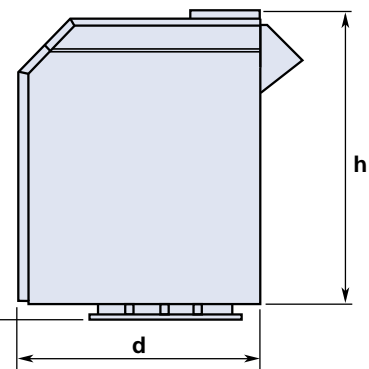


Note: For further details of Reverse Return Header Kits please refer to page 11.

Plan



Front



Side

Output to water		Model	No. of boilers	Input rate natural gas		Approx. dry weight kg	Approx. Overall size w x d x h (mm)
kW	Btu/h x 1000			m ³ /h	ft ³ /h		
80	273.0	MPI 80/2/40	2 x PI 40	9.46	334.1	480	1064 x 950 x 1035
120	409.5	MPI 120/3/40	3 x PI 40	14.20	501.5	720	1596 x 950 x 1035
140	477.7	MPI 140/2/70	2 x PI 70	16.54	584.1	580	1064 x 950 x 1129
160	545.9	MPI 160/4/40	4 x PI 40	18.90	667.4	960	2128 x 950 x 1035
200	682.4	MPI 200/5/40	5 x PI 40	23.68	836.3	1200	2660 x 950 x 1035
200	682.4	MPI 200/2/100	2 x PI 100	23.68	836.3	700	1064 x 950 x 1223
210	716.5	MPI 210/3/70	3 x PI 70	24.80	875.8	870	1596 x 950 x 1129
240	818.9	MPI 240/6/40	6 x PI 40	28.30	999.4	1440	3192 x 950 x 1035
280	955.4	MPI 280/4/70	4 X PI 70	33.08	1168.2	1160	2128 x 950 x 1129
300	1023.6	MPI 300/3/100	3 x PI 100	35.50	1253.7	1050	1596 x 950 x 1223
350	1194.2	MPI 350/5/70	5 x PI 70	41.35	1460.3	1450	2660 x 950 x 1129
400	1364.8	MPI 400/4/100	4 x PI 100	47.20	1666.9	1400	2128 x 950 x 1223
420	1433.0	MPI 420/6/70	4 x PI 70	49.60	1751.6	1740	3192 x 950 x 1129
500	1706.0	MPI 500/5/100	5 x PI 100	59.00	2083.6	1750	2660 x 950 x 1223
600	2047.2	MPI 600/6/100	6 x PI 100	70.50	2489.7	2100	3192 x 950 x 1223