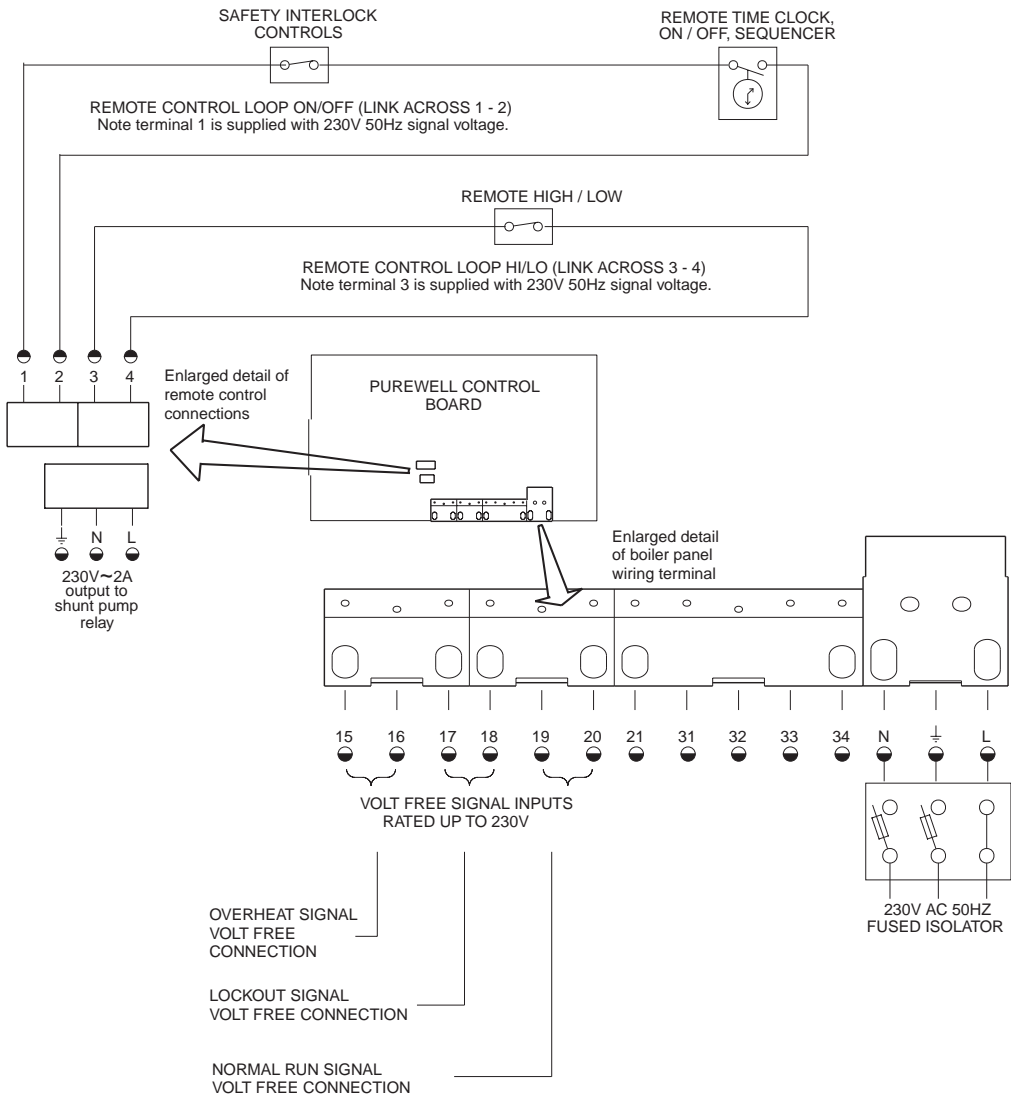


Wiring Diagram

Purewell Classic - Fully Automatic



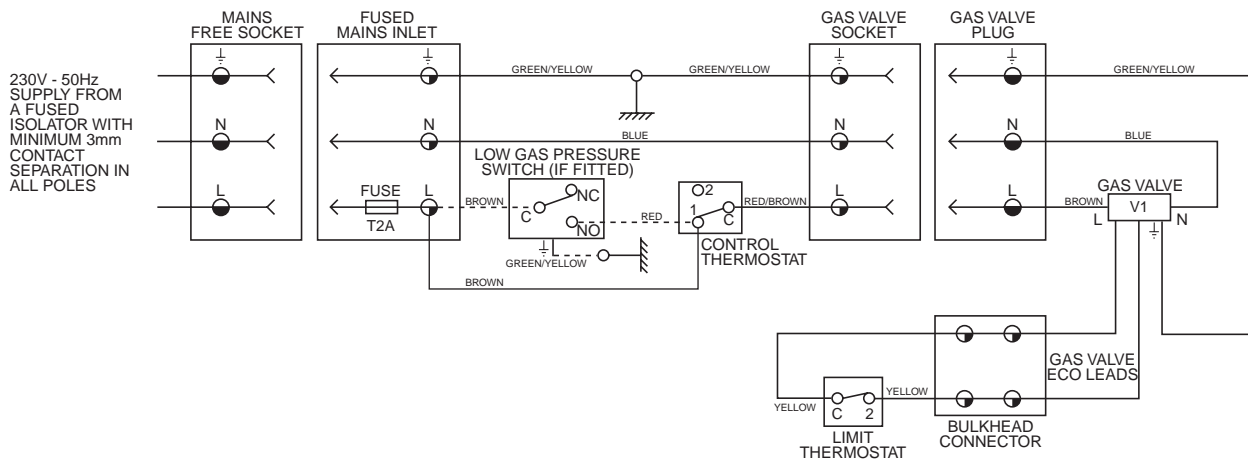
Operating Voltage
230 V 50 HZ AC

Operating Current
Start and run
0.4A

Wiring Diagram

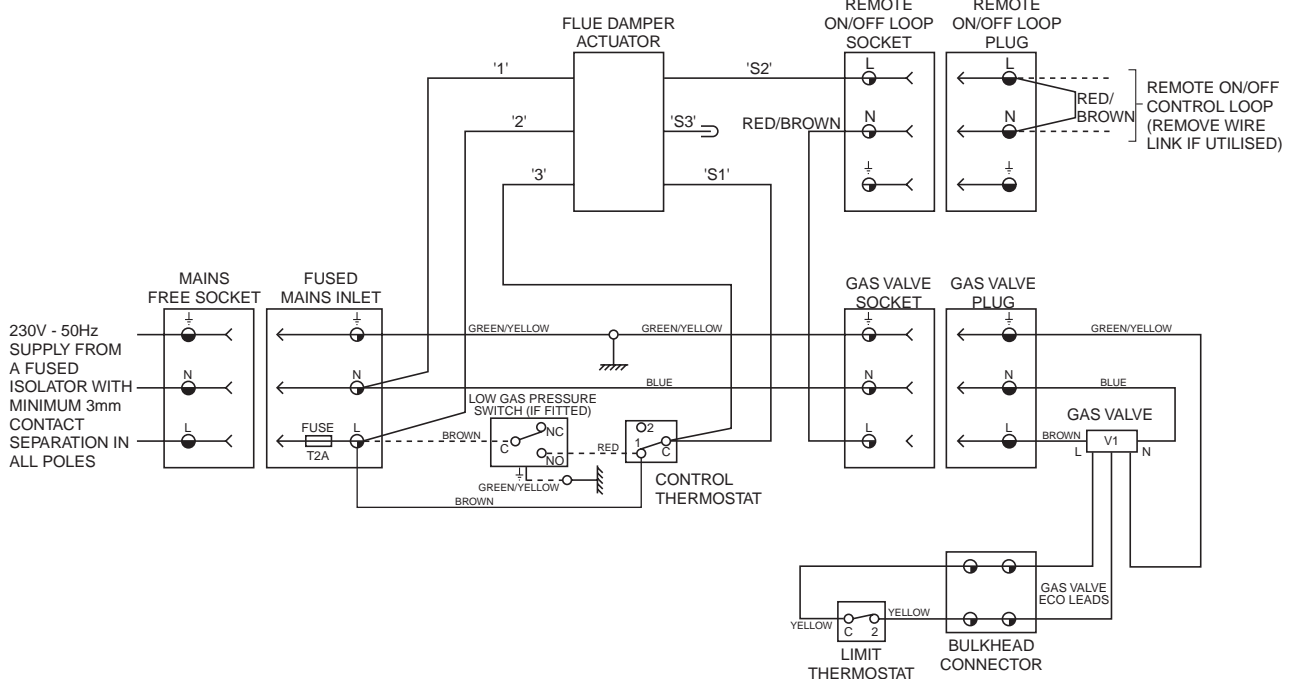
Purewell Classic - Permanent Pilot

Standard Controls Wiring Diagram Schematic



Note: Any timeclock controls or interlocks should be wired to interrupt the supply to the boiler.

Standard Controls Wiring Diagram Schematic (with optional on/off damper)



Note: Any timeclock controls or interlocks should be wired to interrupt the supply to the boiler.